

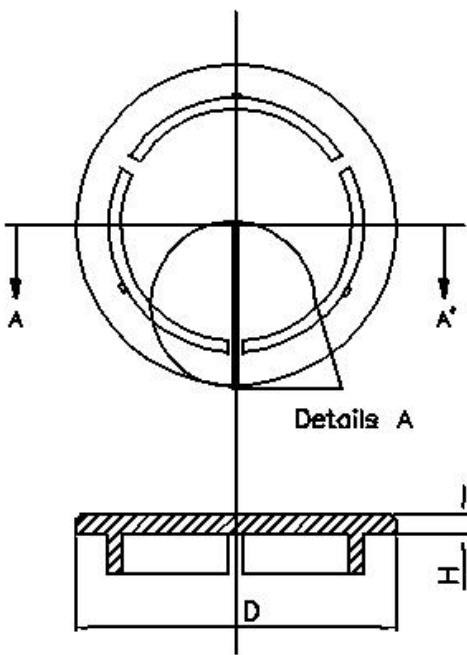
Product Name :Electronic Components / Knob Caps / CL-10
Product Code : CL-10



Features

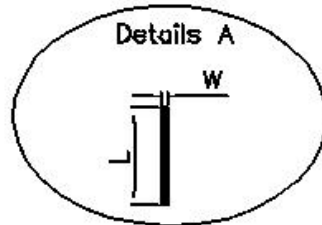
- Available in various colours
- Various fittment options available
- Availability of press fit designs

BASIC DIMENSIONS



Cap Type	Standard Cap Dimensions		Line Dimensions	
	D	H	L	W
CL-10	8.2	0.8	4.0	0.8

* - Refer ordering code





Specifications

Sr.No	Parameter		Specification
1	Product Category / Description		Knob & Accessories
2	Type / Sub Type		Cap With Line
3	Cap Size		10 mm
4	Dimension - H		0.8 mm
5	Dimension - D		8.2 mm
	Operating / Functional Characteristics		
6	Permissible Temperature	With/Without Load	-20°C to +85°C
	Material		
7	Body		Engineering Thermoplastic
8	Colour (Standard)		Grey, Dark Grey, Black, Red, Blue, Yellow & Green

ANNEXURE A

CL-10

Standard Variety				
Sr.no.	With Reference To	Available option	RoHS/Non RoHS	Safety Approvals & / Or Markings
1	Plastic Resin	Engineering Thermoplastic	Non RoHS	—
2	Knob Colour	Grey/Dark Grey/Black		
3	Cap Size	10mm		
4	Type	Cap with line		

Other Customized Options Available On Request , Subject To MOQ & Commercial Acceptance.				
Sr.no.	With Reference To	Available option	RoHS/Non RoHS	Safety Approvals & / Or Markings
5	Variety			—
6	Type	Cap without line (CF-10)	—	—