

Product Name :Electronic Components / Switches / Rotary Switch / ERS-113
Product Code : ERS-113



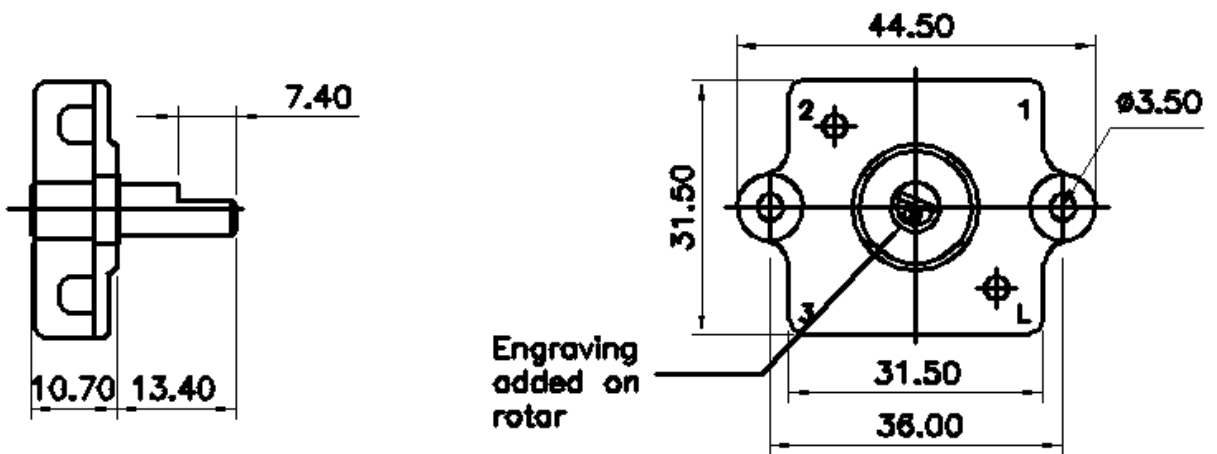
Approvals



Features

Available in various & / or customized options wrt Indexing angles.
Standard / Customized shaft dimensions and colours.
Push In Type - Solder less Terminal options

BASIC DIMENSIONS





Specifications

Sr.No	Parameter		Specification
1	Product Category / Description		Rotary Switch
2	Mounting Style		Chassis Mounting
3	Sub Type		Three Speed Switch
	Electrical Characteristics		
4	V/A Rating		4A 250VAC / 125 VAC
5	Insulation Resistance at 500 VDC		1000 M ohms Min.
6	H.V.Break Down Test (For 1-Minute)		1 KVAC
7	Contact Resistance (Initial)		20 m ohms Max
8	Electrical Life		10,000 Cycles / Pole
	Operating / Functional Characteristics		
9	Operating Temp. Range	With/Without Load	-20°C to +85°C
10	Mounting		Screw Mounting
11	Terminals (Standard)		Push In Type - Solder less
	Material		
12	Body		Nylon
13	RoHS compliant		No (Variety Available Through another code)
14	Colour (Standard)	Colour	Black
15	Current Carrying Parts	(b) Contacts, Terminals	Cu Alloy, Nickel Plating
16	Shaft Colour		Black
	Reference Standards / Safety Approvals		
17	Reference Standard		IEC-61058-1
18	CE Marking		No (Variety Available Through another code)

ANNEXURE A

Standard Variety				
Sr.no.	With Reference To	Available option	RoHS/Non RoHS	Safety Approvals & / Or Markings
1	Plastic Resin	Nylon	Non RoHS	—
2	Shaft Colour	Black		
3	Rating	4A		

Other Customized Options Available On Request , Subject To MOQ & Commercial Acceptance.				
Sr.no.	With Reference To	Available option	RoHS/Non RoHS	Safety Approvals & / Or Markings
4	Variety			—
5	Variety	Nylon 6 FR V-2	—	—