

Product Name :Electronic Components / Switches / Binary Coded Rotary Switch / ERS-2015
Product Code : ERS-2015



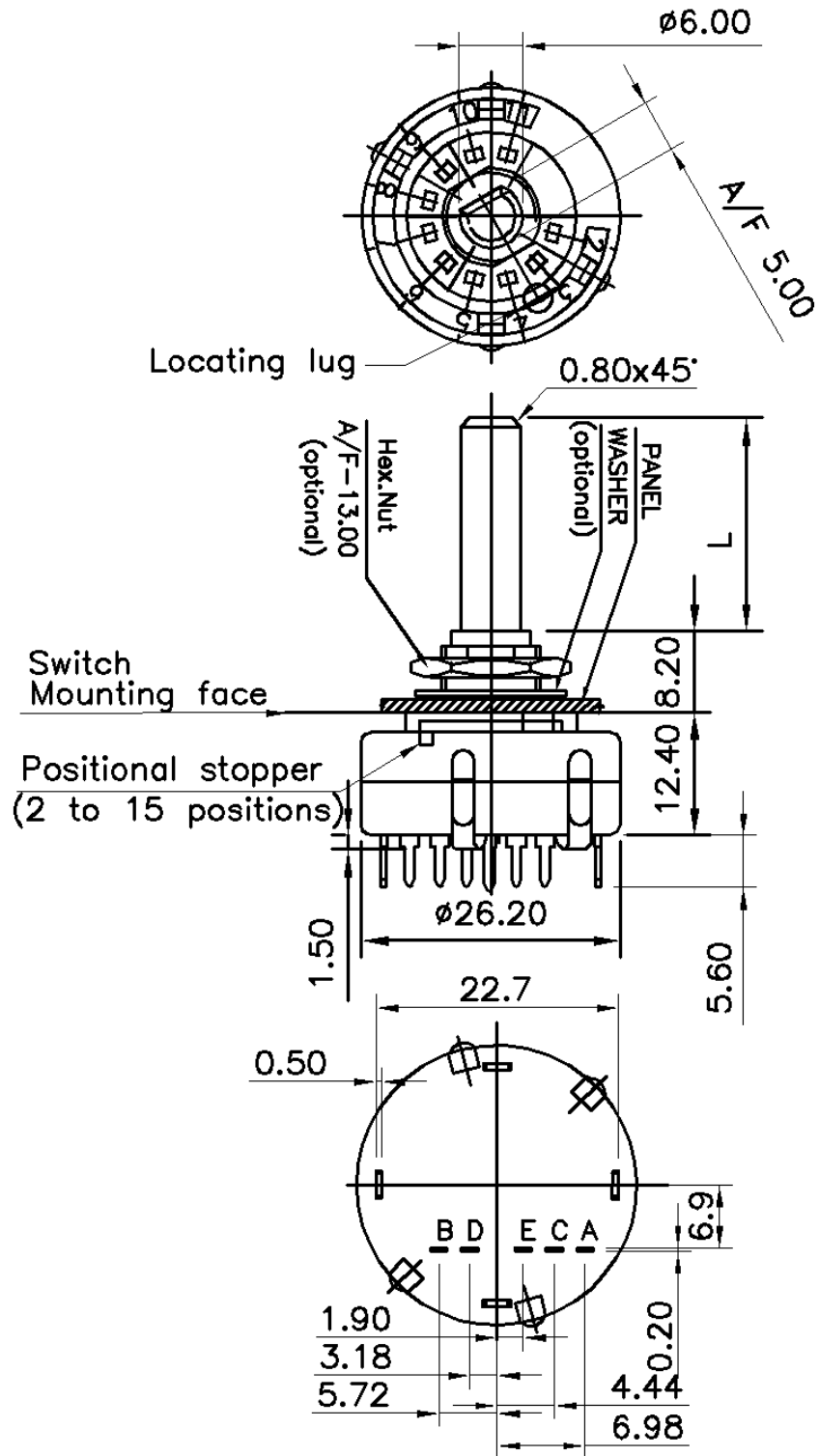
Approvals



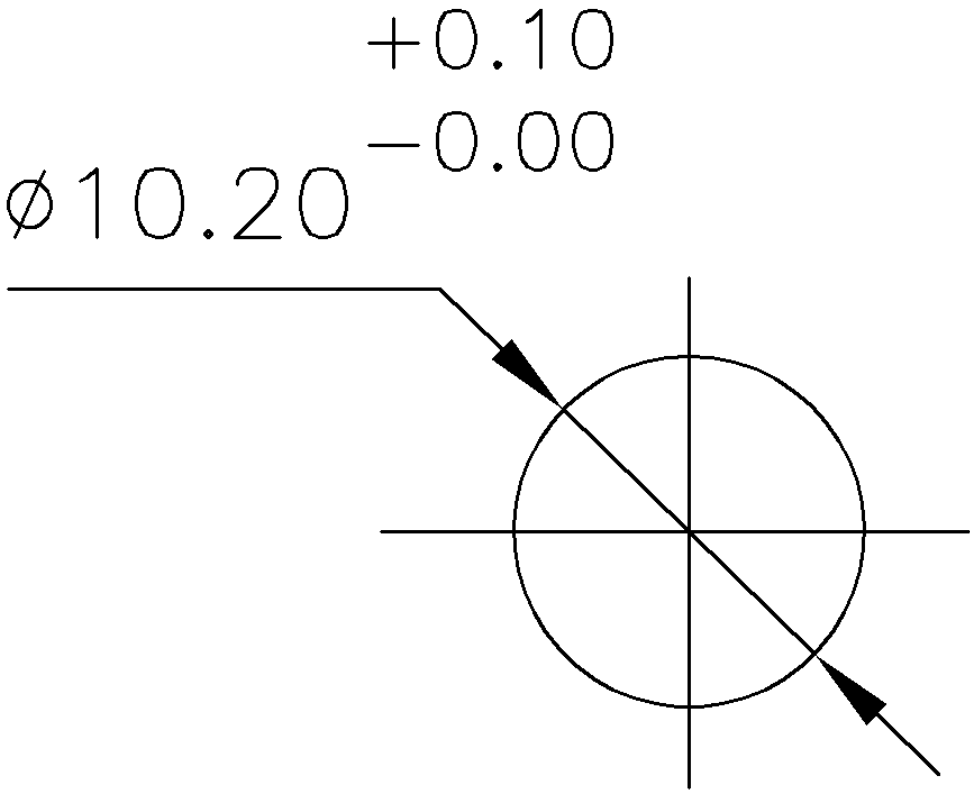
Features

Available in various & / or customized options wrt Indexing angles.
Standard / Customized shaft dimensions and colours.

BASIC DIMENSIONS



PANEL CUTOUT



Specifications

Sr.No	Parameter		Specification
1	Product Category / Description		Rotary Switch - Binary Coded
2	Mounting Style		Panel Mounting
3	Indexing		22.5°
	Electrical Characteristics		
4	V/A Rating		50 VAC / DC 150mA
5	Insulation Resistance at 500 VDC		1000 M ohms Min.
6	H.V.Break Down Test (For 1-Minute)		250 VAC
7	Contact Resistance (Initial)		50 m ohms Max
8	Electrical Life		10,000 Cycles Min.
	Operating / Functional Characteristics		
9	Operating Temp. Range	With/Without Load	-20°C to +85°C
10	For Soldering		270° C, 5 seconds max.
11	Mounting		Screw - Type
12	Mounting Style		3.00 mm Max
13	Terminals (Standard)		Solder Type
	Material		
14	Body		Nylon / PBT
15	RoHS compliant		Yes
16	Colour (Standard)	Colour	White / Black
17	Current Carrying Parts	(b) Contacts, Terminals	Cu Alloy - Silver Plating
18	Shaft Colour		Black
19	PCB		Glass Epoxy - Gold Plated
	Reference Standards / Safety Approvals		
20	Reference Standard		IEC-61058-1
21	CE Marking		Yes

ERS-20

ANNEXURE A

Standard Variety				
Sr.no.	With Reference To	Available option	RoHS	Safety Approvals & / Or Markings
1	Plastic Resin	Nylon	RoHS	CE
2	Rating	150 mA		

Other Customized Options Available On Request , Subject To MOQ & Commercial Acceptance.				
Sr.no.	With Reference To	Available option	RoHS/Non RoHS	Safety Approvals & / Or Markings
3	Plating On Current Carrying Parts	Silver/Gold Plated	—	CE