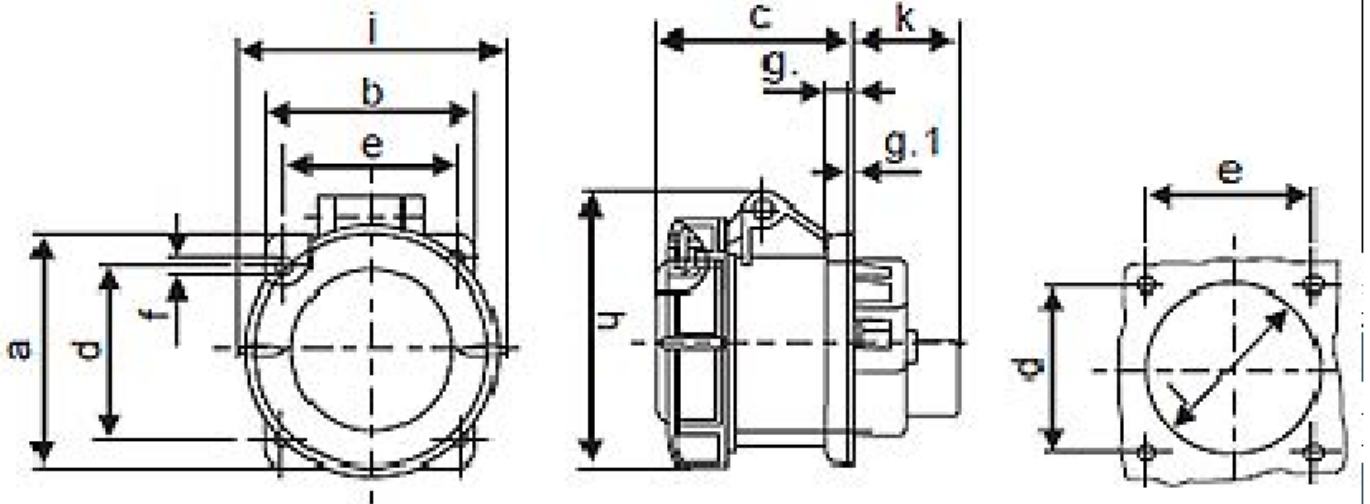


Product Name :Electronic Components / Industrial Plug / EX248
Product Code : EX248



BASIC DIMENSIONS



DIMENSIONS TABLE

SR.NO.	PARAMETER	DIMENSIONS(mm)
1	a	75
2	b	75
3	c	55
4	d	60
5	e	60
6	f	5.5
7	g.	10
8	g.1	2
9	h	83
10	h1	78
11	k	30
12	l	45

Specifications

Sr.No	Parameter	Specification
1	Product Category / Description	Industrial Plug
2	Type / Sub Type	EX248
3	Protection Rating	IP44
4	Rated Current	16A
5	Poles	2P+E
6	Earth Contact Position	6h
7	Colour (Standard)	Blue
8	Cable Nominal Cross Sectional Area (mm ²)	1.5 - 2.5
9	Reference Standard	IEC 60309-2

Elcom International Pvt. Ltd.
20 Prabhadevi Ind. Estate, 408 Veer Savarkar Marg, Prabhadevi, Mumbai - 400 025, India
Tel: +91 22 66114444 / +91 22 24308861, Fax: +91 22 66114422
Email: sales@elcom-in.com, elcom.mail@elcom-in.com
www.elcom-international.com