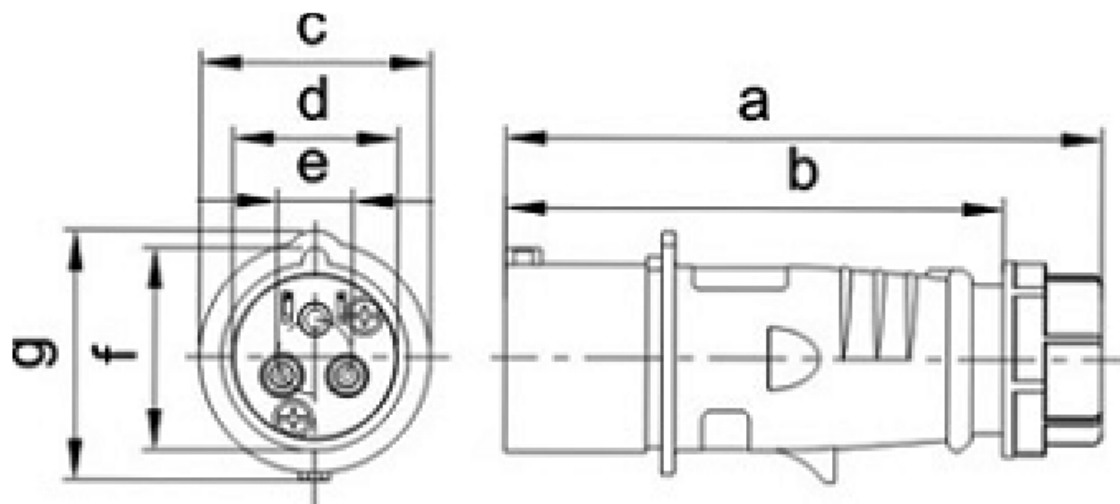


Product Name :Electronic Components / Industrial Plug / EX260  
Product Code : EX260



BASIC DIMENSIONS



DIMENSIONS TABLE



SR.NO.	PARAMETER	DIMENSIONS(mm)
1	a	173
2	b	144
3	c	57
4	d	51
5	e	25
6	f	62
7	g	80.7

## Specifications

Sr.No	Parameter	Specification
1	Product Category / Description	Industrial Plug
2	Type / Sub Type	EX260
3	Protection Rating	IP44
4	Rated Current	32A
5	Poles	2P+E
6	Earth Contact Position	6h
7	Colour (Standard)	Blue
8	Cable Nominal Cross Sectional Area (mm <sup>2</sup> )	4.0 - 6.0
9	Reference Standard	IEC 60309-2

---

Elcom International Pvt. Ltd.  
20 Prabhadevi Ind. Estate, 408 Veer Savarkar Marg, Prabhadevi, Mumbai - 400 025, India  
Tel: +91 22 66114444 / +91 22 24308861, Fax: +91 22 66114422  
Email: sales@elcom-in.com, elcom.mail@elcom-in.com  
www.elcom-international.com