

Product Name :Electronic Components / Solenoid (DIN) Connectors / Socket / HD-209S  
Product Code : HD-209S



#### Features

Protection class : IP-65

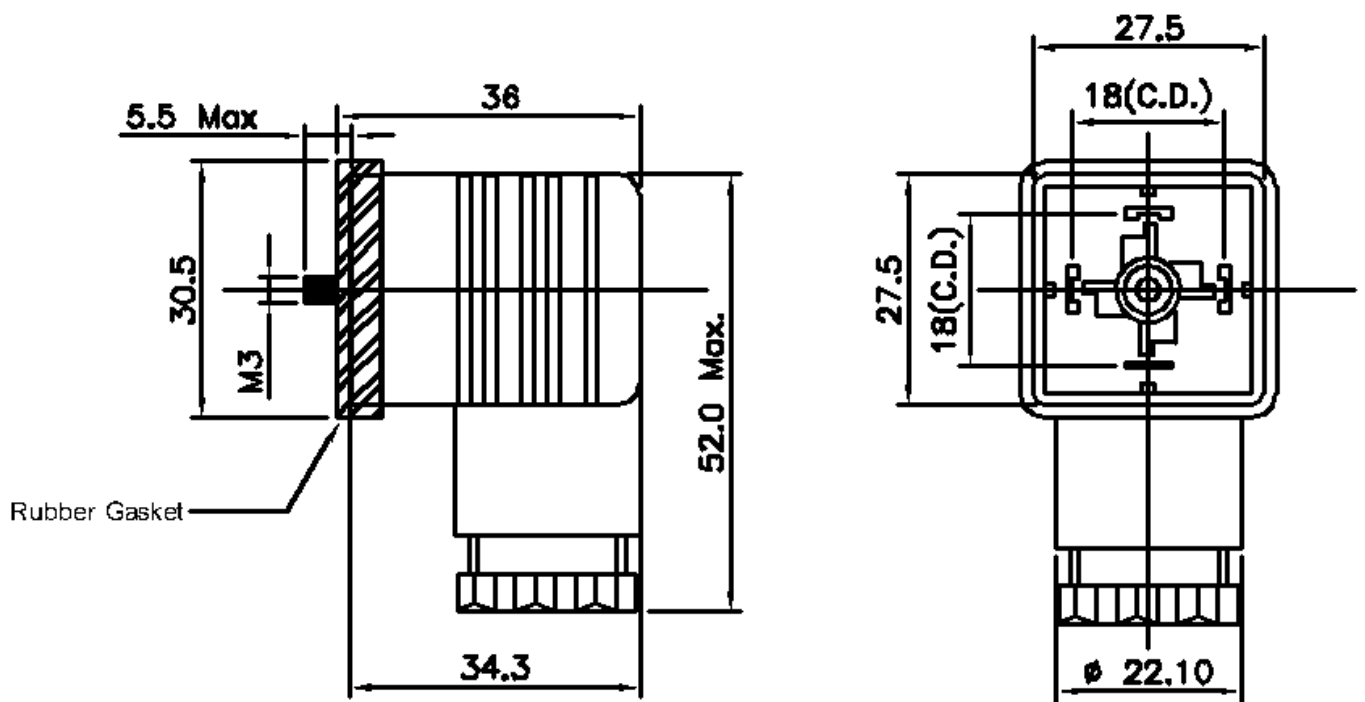
Flame Retardant material

Vibration Proof Interlocking

Product range with Protection Circuits & Rectifiers

Product range available in Transperant Casing & optical indicators

### BASIC DIMENSIONS







Specifications

Sr.No	Parameter		Specification
1	Product Category / Description		DIN Connector
2	Type / Sub Type		Socket
3	Sub Type		Construction Type A
4	Gender		Female
5	Cable Gland Size		PG9
	Electrical Characteristics		
6	V/A Rating (Non-illuminated )		10 A, 250VAC
7	Insulation Resistance at 500 VDC		100 M ohms Min.
8	H.V.Break Down Test (For 1-Minute)		2 KVAC
9	Contact Resistance (Initial)		20 m ohms Max
10	Indicating Light		No
	Operating / Functional Characteristics		
11	Permissible Temperature	With/Without Load	0 To 90°C
12	Mounting		Screw Mounting
13	Pole Format		2 Pole + Earth
	Material		
14	Body		Nylon
15	RoHS compliant		No (Variety Available Through another code)
16	Colour (Standard)	Colour	Black
17	Current Carrying Parts	(b) Contacts, Terminals	Cu Alloy / Silver - Silver Plating
18	Gasket		Nitrile
	Reference Standards / Safety Approvals		
19	Reference Standard		DIN-43650, ISO 4400, DIN EN-175301-803

## ANNEXURE A

Standard Variety (2P + E)				
Sr.no.	With Reference To	Available option	RoHS/Non RoHS	Safety Approvals & / Or Markings
1	Plastic Resin	Nylon	Non RoHS	—
2	Colour	Black/Grey	—	—
3	Gland Size	PG-9	—	—

Other Customized Options Available On Request, Subject To MOQ & Commercial Acceptance.				
Sr.no.	With Reference To	Available options	RoHS/Non RoHS	Safety Approvals & / Or Markings
4	Connection Type	3P + E	Non RoHS	—
5	Plastic Resin			—
6	Gland Size	PG-11	—	—
7	Safety Approval	Nylon 6 FR V-2		
8	With Bridge Rectifier	Available	Non RoHS	—
9	With Protection Circuit	Available	Non RoHS	—
10	With EMI Filter	Available	Non RoHS	—