

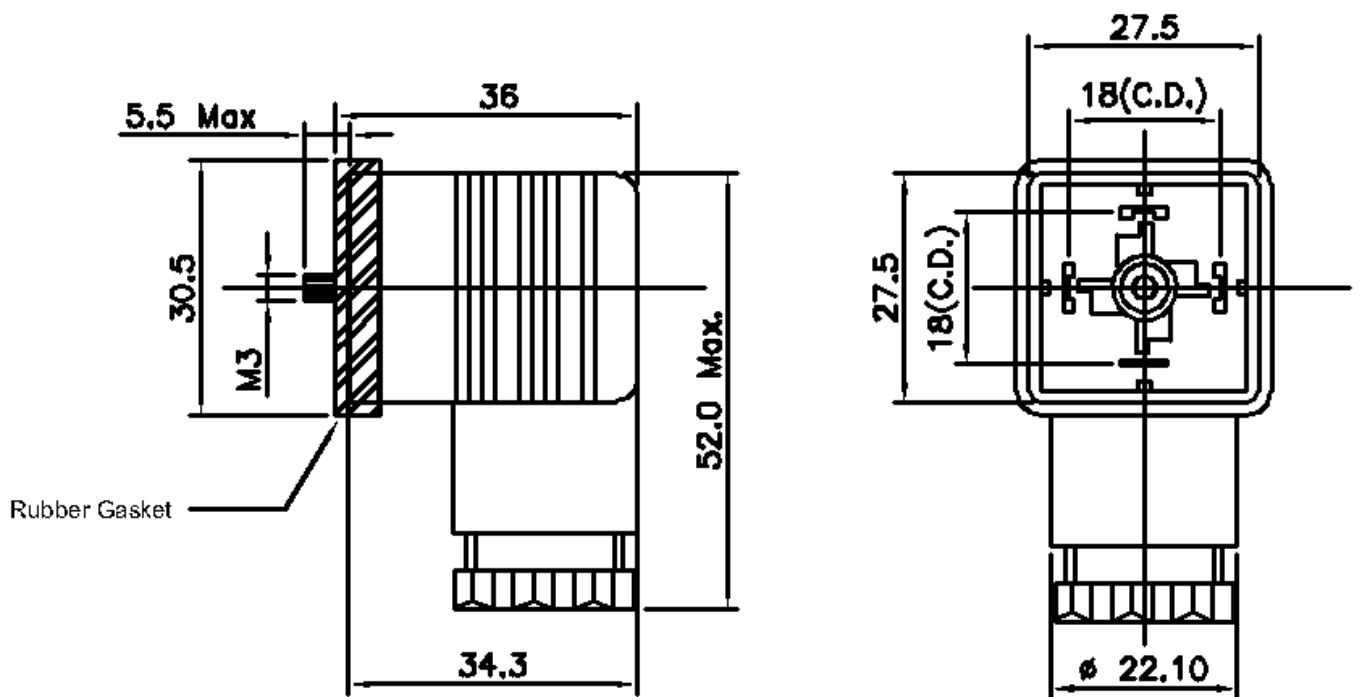
Product Name :Electronic Components / Solenoid (DIN) Connectors / Socket / HD-211S
Product Code : HD-211S



Features

- Protection class : IP-65
- Flame Retardant material
- Vibration Proof Interlocking
- Product range with Protection Circuits & Rectifiers
- Product range available in Transperant Casing & optical indicators

BASIC DIMENSIONS







Specifications

Sr.No	Parameter		Specification
1	Product Category / Description		DIN Connector
2	Type / Sub Type		Socket
3	Sub Type		Construction Type A
4	Gender		Female
5	Cable Gland Size		PG11
	Electrical Characteristics		
6	V/A Rating (Non- illuminated)		10 A, 250VAC
7	Insulation Resistance at 500 VDC		100 M ohms Min.
8	H.V.Break Down Test (For 1-Minute)		2 KVAC
9	Contact Resistance (Initial)		20 m ohms Max
10	Indicating Light		No
	Operating / Functional Characteristics		
11	Permissible Temperature	With/Without Load	0 To 90°C
12	Mounting		Screw Mounting
13	Pole Format		2 Pole + Earth
	Material		
14	Body		Nylon
15	RoHS compliant		No (Variety Available Through another code)
16	Colour (Standard)	Colour	Black
17	Current Carrying Parts	(b) Contacts, Terminals	Cu Alloy, Tin Plating
18	Gasket		Nitrile
	Reference Standards / Safety Approvals		
19	Reference Standard		DIN-43650, ISO 4400, DIN EN-175301-803

Annexure

ANNEXURE A

Standard Variety (2P + E)				
Sr.no.	With Reference To	Available option	RoHS/Non RoHS	Safety Approvals & / Or Markings
1	Plastic Resin	Nylon	Non RoHS	—
2	Colour	Black/Grey	—	—
3	Gland Size	PG-11	—	—

Other Customized Options Available On Request, Subject To MOQ & Commercial Acceptance.				
Sr.no.	With Reference To	Available options	RoHS/Non RoHS	Safety Approvals & / Or Markings
4	Connection Type	3P + E	Non RoHS	—
5	Plastic Resin			—
6	Gland Size	PG-9	—	—
7	Safety Approval	Nylon 6 FR V-2		
8	With Bridge Rectifier	Available	Non RoHS	—
9	With Protection Circuit	Available	Non RoHS	—
10	With EMI Filter	Available	Non RoHS	—

Elcom International Pvt. Ltd.
 20 Prabhadevi Ind. Estate, 408 Veer Savarkar Marg, Prabhadevi, Mumbai - 400 025, India
 Tel: +91 22 66114444 / +91 22 24308861, Fax: +91 22 66114422
 Email: sales@elcom-in.com, elcom.mail@elcom-in.com
 www.elcom-international.com