

Product Name :Electronic Components / Solenoid (DIN) Connectors / Socket / HD-211SL  
Product Code : HD-211SL



#### Features

Protection class : IP-65

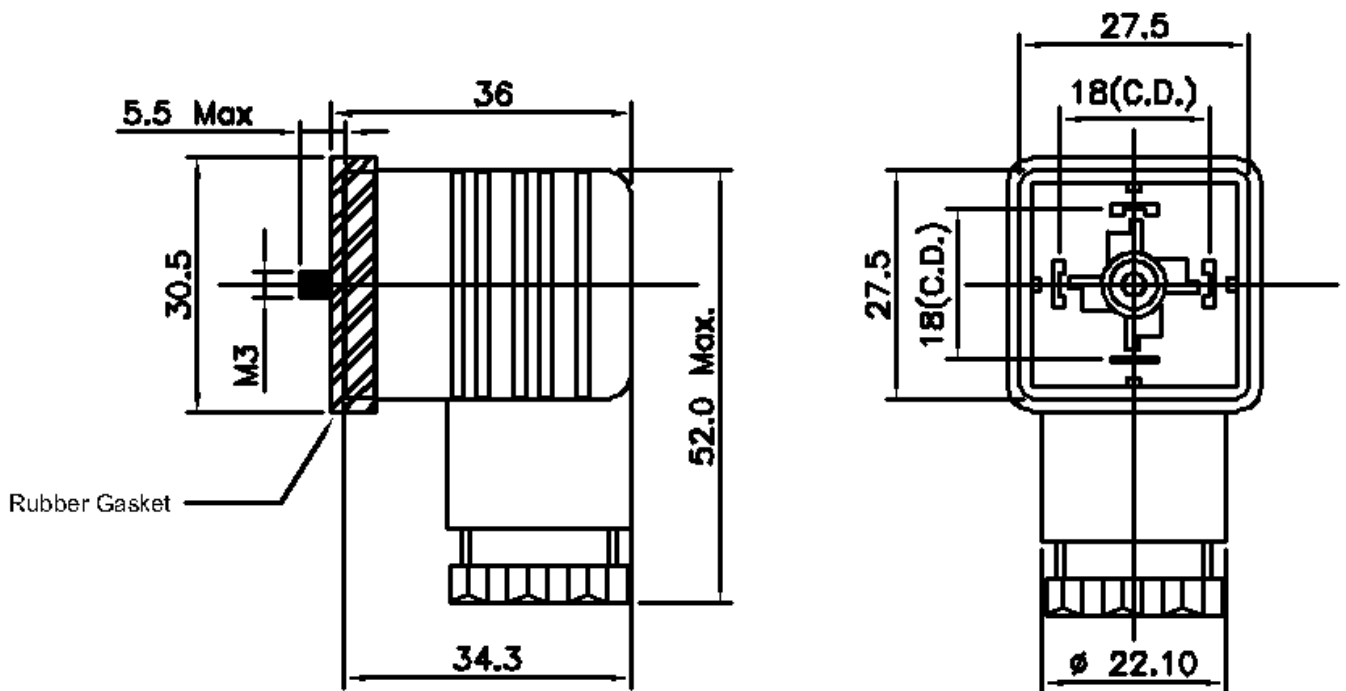
Flame Retardant material

Vibration Proof Interlocking

Product range with Protection Circuits & Rectifiers

Product range available in Transparent Casing & optical indicators

### BASIC DIMENSIONS







Specifications

Sr.No	Parameter		Specification
1	Product Category / Description		DIN Connector
2	Type / Sub Type		Socket
3	Sub Type		Construction Type A
4	Gender		Female
5	Cable Gland Size		PG11
	Electrical Characteristics		
6	V/A Rating (Non- illuminated )		10 A, 250VAC
7	Insulation Resistance at 500 VDC		100 M ohms Min.
8	H.V.Break Down Test (For 1-Minute)		2 KVAC
9	Contact Resistance (Initial)		20 m ohms Max
10	Indicating Light		Yes
11	Voltage Rating ( illuminated )		12VDC, 24VDC, 48VDC, 110VAC, 230VAC, 110VDC, 230VDC
	Operating / Functional Characteristics		
12	Permissible Temperature	With/Without Load	0 To 90°C
13	Mounting		Screw Mounting
14	Pole Format		2 Pole + Earth
	Material		
15	Body		Nylon
16	RoHS compliant		No (Variety Available Through another code)
17	Colour (Standard)	Colour	Black
18	Current Carrying Parts	(b) Contacts, Terminals	Cu Alloy, Tin Plating
19	Gasket		Nitrile
	Reference Standards / Safety Approvals		
20	Reference Standard		DIN-43650, ISO 4400, DIN EN-175301-803

## ANNEXURE A

Standard Variety (2P + E)				
Sr.no.	With Reference To	Available option	RoHS/Non RoHS	Safety Approvals & / Or Markings
1	Plastic Resin	Nylon	Non RoHS	—
2	Gland Size	PG-11	—	—

Other Customized Options Available On Request , Subject To MOQ & Commercial Acceptance.				
Sr.no.	With Reference To	Available options	RoHS/Non RoHS	Safety Approvals & / Or Markings
3	Connection Type	3P + E	Non RoHS	—
4	Plastic Resin			—
5	Gland Size	PG-8	—	—
6	Safety Approval	Nylon 6 FR V-2		
7	With Bridge Rectifier	Available	Non RoHS	—
8	With Protection Circuit	Available	Non RoHS	—
9	With EMI Filter	Available	Non RoHS	—