

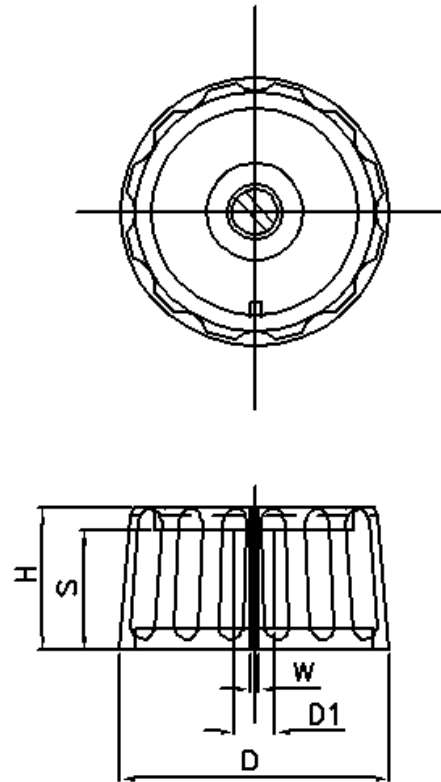
Product Name :Electronic Components / Knob Caps / KL-15  
Product Code : KL-15



#### Features

Available in various colours  
Various fittment options available  
Availability of press fit designs

BASIC DIMENSIONS



Knob Type	Standard Knob Dimensions				Line
	D	H	S	D1	W
K*-15	16.0	16.2	6.5	3.18	0.6



Specifications

Sr.No	Parameter		Specification
1	Product Category / Description		Collet Knob
2	Type / Sub Type		Knob With Line
3	Dimension - H		16.0 mm
4	Dimension - D		16.2 mm
5	Dimension - S		6.5 mm
	Operating / Functional Characteristics		
6	Permissible Temperature	With/Without Load	-20°C to +85°C
	Material		
7	Body		Engineering Thermoplastic
8	Colour (Standard)		Grey, Dark Grey, Black & Red

## ANNEXURE A

KL-15

Standard Variety				
Sr.no.	With Reference To	Available option	RoHS/Non RoHS	Safety Approvals & / Or Markings
1	Plastic Resin	Engineering Thermoplastic	Non RoHS	—
2	Knob Colour	Grey/Dark Grey/Black		
3	Knob Size	15mm		
4	Type	Knob with line		

Other Customized Options Available On Request , Subject To MOQ & Commercial Acceptance.				
Sr.no.	With Reference To	Available option	RoHS/Non RoHS	Safety Approvals & / Or Markings
5	Variety			—
6	Type	Knob without line (KS-15)	—	—