

Product Name :Electronic Components / Solenoid (DIN) Connectors / Socket / MER-209-SL  
Product Code : MER-209-SL



#### Features

Protection class : IP-65

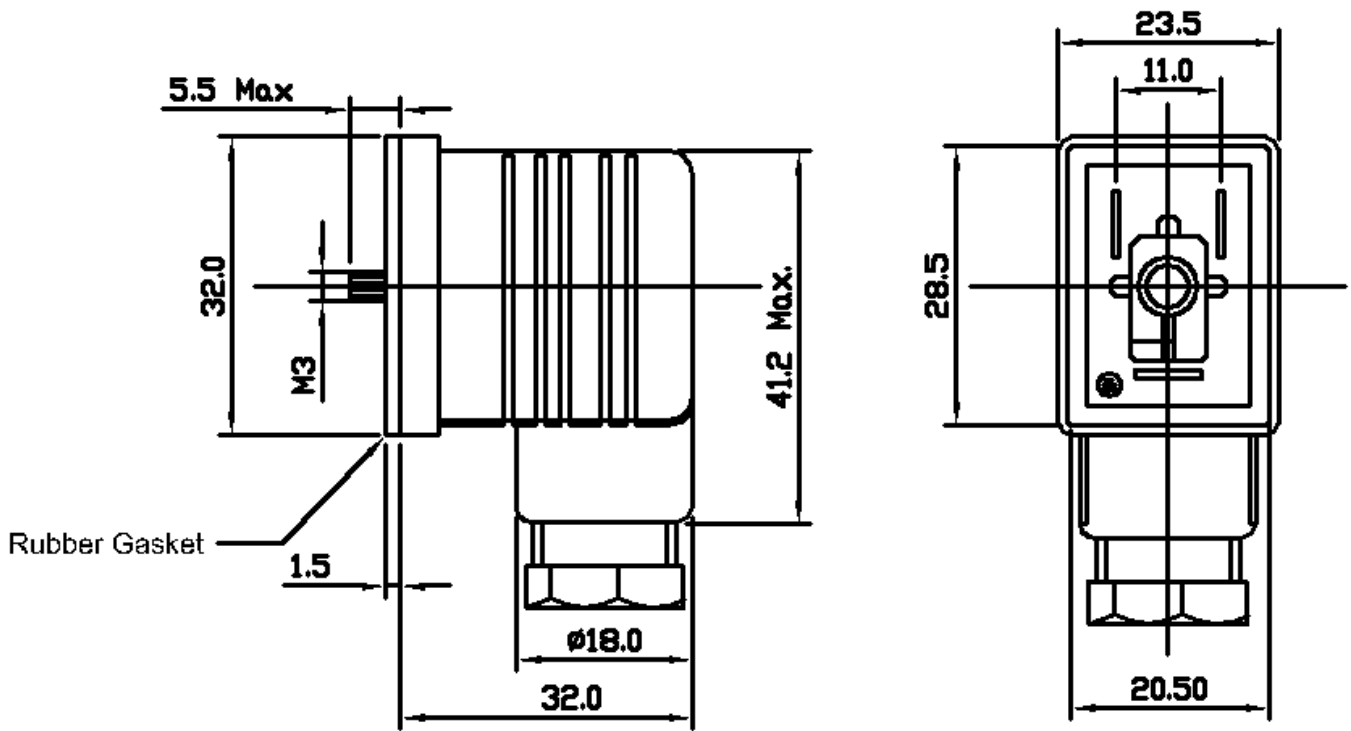
Flame Retardant material

Vibration Proof Interlocking

Product range with Protection Circuits & Rectifiers

Product range available in Transparent Casing & optical indicators

### BASIC DIMENSIONS







Specifications

Sr.No	Parameter		Specification
1	Product Category / Description		DIN Connector
2	Type / Sub Type		Socket
3	Sub Type		Construction Type B
4	Gender		Female
5	Cable Gland Size		PG9
	Electrical Characteristics		
6	V/A Rating		10 A, 250VAC
7	Extended V/A Rating		16A 250V AC
8	Insulation Resistance at 500 VDC		100 M ohms Min.
9	H.V.Break Down Test (For 1-Minute)		2 KVAC
10	Contact Resistance (Initial)		20 m ohms Max
11	Indicating Light		Yes
12	Voltage Rating ( illuminated )		12VDC, 24VDC, 48VDC, 110VAC, 230VAC
	Operating / Functional Characteristics		
13	Permissible Temperature	With/Without Load	0 To 90°C
14	Mounting		Screw Mounting
15	Terminals (Standard)		Screw - Type
16	Pole Format		2 Pole + Earth
	Material		
17	Body		Nylon
18	RoHS compliant		No (Variety Available Through another code)
19	Colour (Standard)	Colour	Black
20	Current Carrying Parts	(b) Contacts, Terminals	Cu Alloy, Tin Plating
21	Gasket		Nitrile
	Reference Standards / Safety Approvals		
22	Reference Standard		DIN-43650, ISO 4400, DIN EN-175301-803

## ANNEXURE A

Standard Variety (2P + E)				
Sr.no.	With Reference To	Available option	RoHS/Non RoHS	Safety Approvals & / Or Markings
1	Plastic Resin	Nylon	Non RoHS	—

Other Customized Options Available On Request , Subject To MOQ & Commercial Acceptance.				
Sr.no.	With Reference To	Available option	RoHS/Non RoHS	Safety Approvals & / Or Markings
2	Plastic Resin			—
3	Safety Approval	Nylon 6 FR V-2		
4	With Protection Circuit	Available	Non RoHS	—