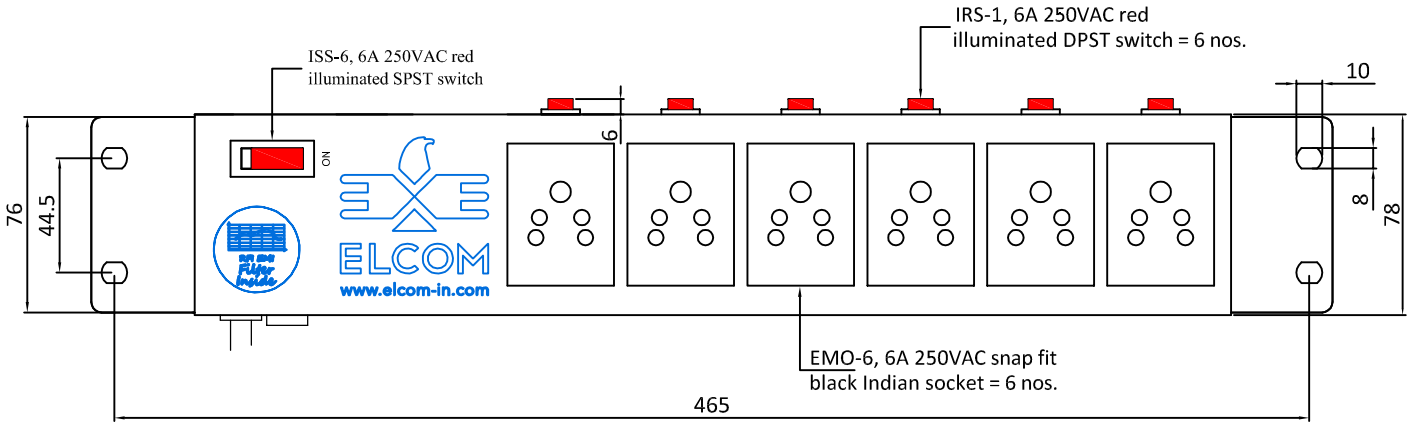
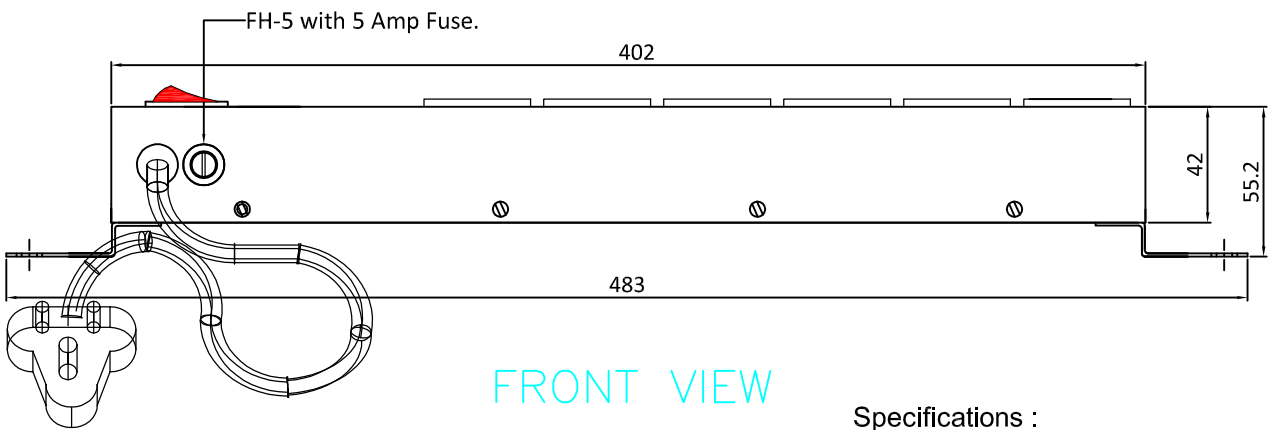


BASIC DIMENSIONS

TOP VIEW



FRONT VIEW


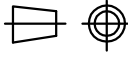


Power cord 0.5 sq.mm 3 core 2.5 mtr. with 6A 3 pin Indian moulded plug top

Specifications :

- RATING : 250 VAC, 5A, 50/60Hz
- Shilds Appliances From:
 - * Surges & Spikes
 - * EMI/RFI
 - * Over Current
 - * Over Voltage
- Inbuilt High Performance Noise Suppressor
- Equipped with MOV & Fuse
- Dedicated Switch Per Outlet.

* General tolerance : +/- 2.0 mm

							PRODUCT : BASIC PDU			CODE : E-1RA-06AC-1HC7F			
							APP	NAM	12.10.16		 Plot E-4, Kagal Five Star MIDC, Kagal, Kolhapur, MH - 416236, India Elcom International Pvt. Ltd.		
							CHK	JDP	12.10.16				
							DRN	ABK	12.10.16				
REV	IS	WAS	DATE	SIGN	APP.	BY	DATE	SIGN					
UNSP.TOLERANCE			DIMNS. IN	WT(Gm)	SCALE:-	PROJECTION	SHEET	DRAWING NUMBER					
OVER	-	1	10	mm	Max.	NTS.		1 OF 1					
UP TO	1	10	-	Moulding, plating details as per Bill of Material Unspecified colour is Black, GF:Glass filled.					REVISION	0			
±	0.2	0.3	0.5										