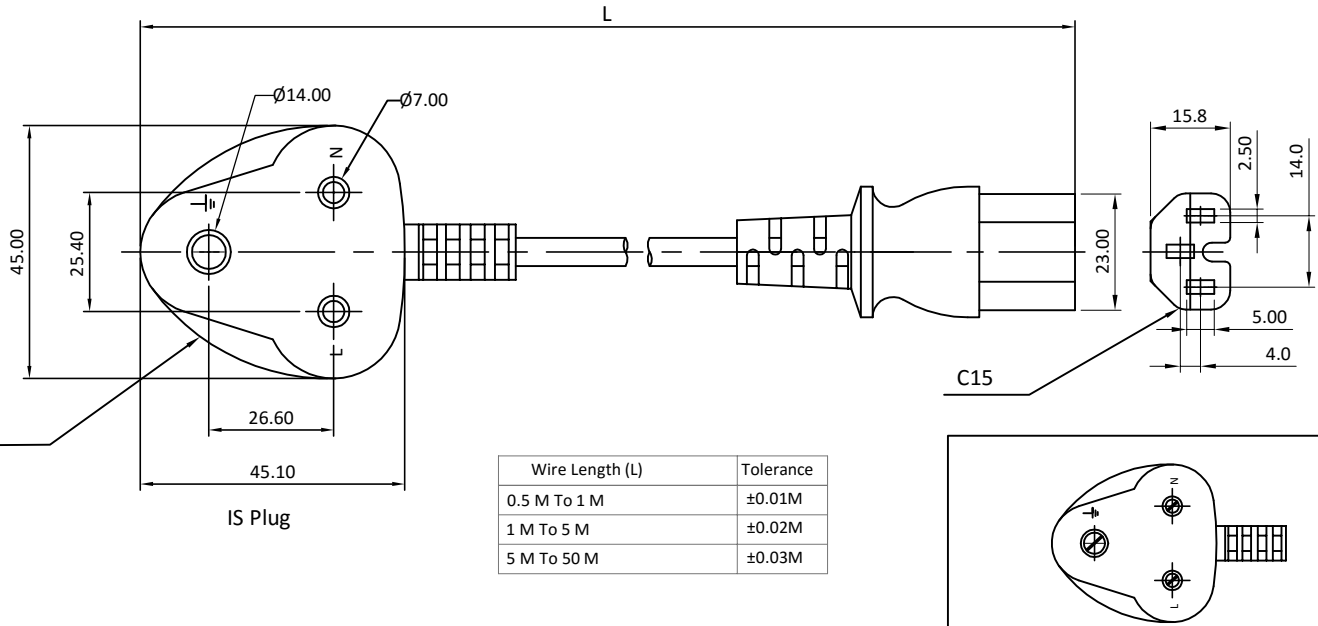


PRODUCT CODE:- EMC-5100-C15

CATEGORY:- Moulded 3-pin Indian Plug with IEC Connectors

**BASIC DIMENSIONS**




Note: Plug & connector shapes are subject to change without notice

OPTIONAL: Pins with slot

**SPECIFICATION TABLE**

SR.NO	PARAMETER		SPECIFICATION
1	Type		Power cord with Indian Plug & IEC C15 Connector
2	V/A Rating		10 Amp,250 V ac
3	Insulation Resistance at 500 V DC		100 M Ohms Min.
4	H.V.Break Down Test(For 1-Minute)		1.5 KV AC.
5	Permissible Temp. With/Without Load		-25°C TO +70°C
6	Length (L), Meters		As per requirement,Standard=1.5
7	MATERIAL	(a) Cable,Cable Guide	PVC
		(b) Conductors	Copper
		(c) Conductor Size	3X1.0 mm <sup>2</sup>
		(d) Contacts	Copper Alloy , Nickel Plating
8	Reference Standard		IS-1293, IEC-799, IEC-227

APP	12.05.15	GJG	 <p>Plot E-4, Kagal Five Star MIDC, Kagal, Kolhapur, MH - 416236, India Elcom International Pvt. Ltd. www.elcom-in.com</p>					
CHK								
DRN	12.05.15	Vicky						
REV	IS	WAS	DATE	SIGN	APP.	BY	DATE	SIGN
UNSP.TOLERANCE			DIMNS. IN	WT(Gm)	SCALE:-	PROJECTION	SHEET	DRAWING NUMBER
OVER	-	1	10	mm	Max.	NTS.	1 OF 1	P E M C 9 5 1 0
UP TO	1	10	-	Moulding, plating details as per Bill of Material Unspecified colour is Black, GF:Glass filled.				REVISION
±	0.2	0.3	0.5					0

F:ENG-08.00

Note: Technical specifications are subject to change without prior notice

Copyright © 2018 by Elcom International Pvt.Ltd, India. All rights reserved