

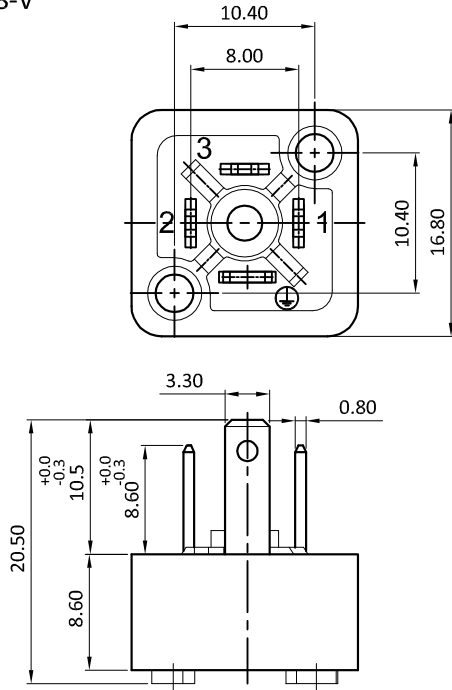
PRODUCT CODE:- MEM-2/PF-8 & 9-V, MEM-3/PF-8 & 9-V
(Approved Series)

CATEGORY:-

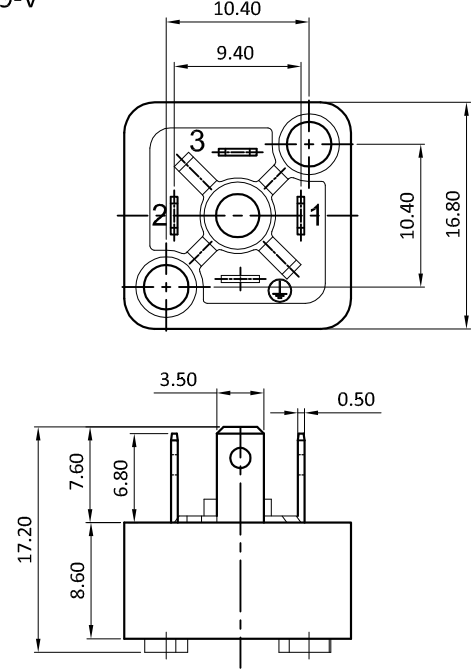
DIN PLUGS

BASIC DIMENSIONS:-

MEM-3/PF-8-V



MEM-3/PF-9-V



SPECIFICATION TABLE:-

SR.NO.	PARAMETER		SPECIFICATION
1	Connector Type		Solenoid Connector Style C Square Plug
2	V/A Rating		6 A 250 VAC
3	Contact Resistance (Initial)		15 m ohms max.
4	Insulation Resistance At 100 V DC		100 M ohms min.
5	H.V.Break Down Test (For 1-Minute)		2 KV AC
6	Connector Mounting		Screw-type
7	Terminals		Solder-type
8	Permissible Temp. With/Without Load		-40°C to 120°C
9	Material.	(a) Body	Nylon-6 GF V2
		(b) Rubber Gasket	Silicone
		(c) Terminals	Brass, Tin Plated
		(d) Mounting Screw	M.S , Zinc Plating With Blue passivation
10	Reference Standard		DIN-43650, ISO 4400, EN-175301-803

ORDERING CODE:-

Sr. No.	Plug Type	Connection Type	Code	Approvals
1	Flat Plug (8mm CD)	2P + E	MEM-2/PF-8-V	
		3P + E	MEM-3/PF-8-V	
2	Flat Plug (9.4mm CD)	2P + E	MEM-2/PF-9-V	-
		3P + E	MEM-3/PF-9-V	-

						APP	04.05.14	PBM	<p>Plot E-4, Kagal Five Star MIDC, Kagal, Kolhapur, MH - 416236, India Elcom International Pvt. Ltd. www.elcom-in.com</p>	
						CHK	04.05.14	YSB		
						DRN	04.05.14	PGP		
REV	IS	WAS	DATE	SIGN	APP.	BY	DATE	SIGN		
UNSP.TOLERANCE		DIMNS. IN	WT(Gm)	SCALE:-	PROJECTION	SHEET	DRAWING NUMBER			
OVER	-	1	10	mm	Max.	NTS.		1 OF 1	P M E M 9 0 F 1	REVISION
UP TO	±	1	10	0.2	0.3	0.5				0
Moulding, plating details as per Bill of Material Unspecified colour is Black, GF:Glass filled.										

F:ENG-08.00

Note: Technical specifications are subject to change without prior notice

Copyright © 2019 by Elcom International Pvt.Ltd, India. All rights reserved