

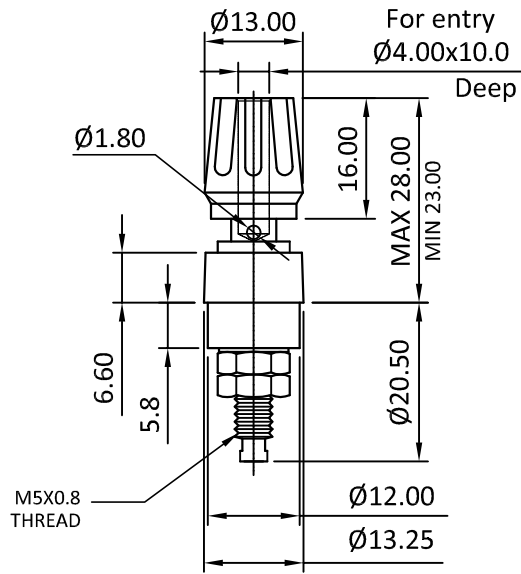
PRODUCT CODE:-

BTI-15-1

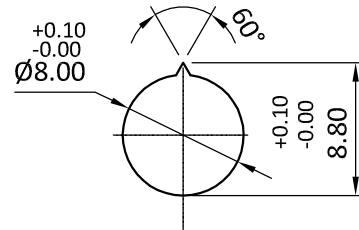
CATEGORY:-

TERMINAL

BASIC DIMENSIONS:-



PANEL CUTOUT:-



SPECIFICATION TABLE:-

Sr.No.	PARAMETER		SPECIFICATION
1	Type		Panel mounting Terminal
2	Panel Thickness		3.0 Max.
3	V/A Rating		15A 250 V AC
4	Contact Resistance(Initial)		5 m Ohms Max.
5	Insulation Resistance at 500 V DC		1000 M Ohms Min.
6	H.V.Break Down Test(1-Minute)		2 KV AC
7	Mounting		Panel, front
8	Terminals		Screw Type
9	Permissible Temp. with / without load		-20°C TO +85°C
10	MATERIAL	(a) Body, Insulator (Bush)	PA-6 UL-FR-V-2/GF20%
		(b) Terminals	Brass, Nickel Plating
11	Reference Standard		JSS 52710
12	Compliance Marking		

						APP	25.11.11	PBM	<p>Plot E-4, Kagal Five Star MIDC, Kagal, Kolhapur, MH - 416236, India Elcom International Pvt. Ltd. www.elcom-in.com</p>
						CHK			
						DRN	25.11.11	SHAMBHU	
REV	IS	WAS	DATE	SIGN	APP.	BY	DATE	SIGN	
UNSP.TOLERANCE			DIMNS. IN	WT(Gm)	SCALE:-		PROJECTION	SHEET	DRAWING NUMBER
OVER	-	1	10	mm	Max.	NTS.		1 OF 1	P B T I 2 0 0 5
UP TO	1	10	-	Moulding, plating details as per Bill of Material Unspecified colour is Black, GF:Glass filled.					REVISION
±	0.2	0.3	0.5						0

F:ENG-08.00

Note: Technical specifications are subject to change without prior notice

Copyright © 2019 by Elcom International Pvt.Ltd, India. All rights reserved