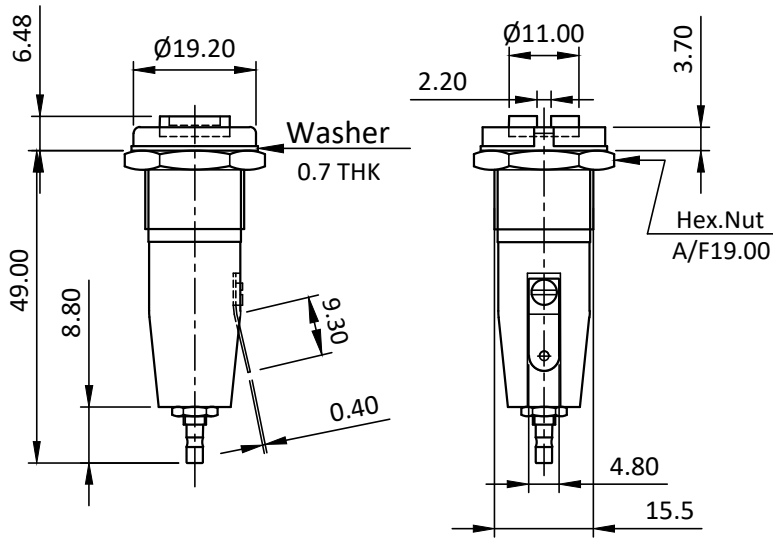


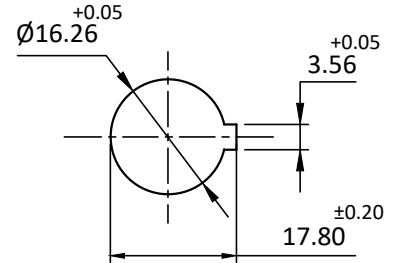
PRODUCT CODE:-  
FH-5 SERIES

CATEGORY:-  
PANEL MOUNTING FUSE HOLDER

BASIC DIMENSIONS:-



PANEL CUTOUT:-



SPECIFICATION TABLE:-

SR.NO	PARAMETER		SPECIFICATION
1	Type		Panel mounting fuse holder
2	Panel Thickness		6.0mm Max.
3	Fuse Link Size		Ø6.30x 32.00
4	V/A Rating		10 A, 250 V AC
5	Contact Resistance(Initial)		10 m Ohms Max.
6	Insulation Resistance at 500 V DC		1000 M Ohms Min.
7	H.V.Break Down Test(1-Minute)		2 KV AC
8	Mounting		Panel
9	Terminals		Solder-type
10	Permissible Temp.	(a) With/Without Load	-20°C TO +85°C
		(b) For Soldering	270°C for 5 Sec. Max.
11	Material	(a) Body	Nylon
		(b) Cap	Nylon
		(c) Terminals	Brass, Tin Plating
12	Reference Standard		IEC-60127-6
13	Compliance marking		(On Request)

						APP	10.10.02	SBP	Plot E-4, Kagal Five Star MIDC, Kagal, Kolhapur, MH - 416236, India Elcom International Pvt. Ltd. www.elcom-in.com	
						CHK	10.10.02	KAK		
						DRN	10.10.02	SNV MDT		
REV	IS	WAS	DATE	SIGN	APP.	BY	DATE	SIGN		
UNSP.TOLERANCE			DIMNS. IN	WT(Gm)	SCALE:-		PROJECTION	SHEET	DRAWING NUMBER	
OVER	-	1	10	mm		Max.	NTS.		1 OF 1	
UP TO	1	10	-	Moulding, plating details as per Bill of Material						P F H 0 2 0 0 5
±	0.2	0.3	0.5	Unspecified colour is Black, GF:Glass filled.						
										0

F:ENG-08.00

Note: Technical specifications are subject to change without prior notice

Copyright © 2019 by Elcom International Pvt.Ltd, India. All rights reserved