

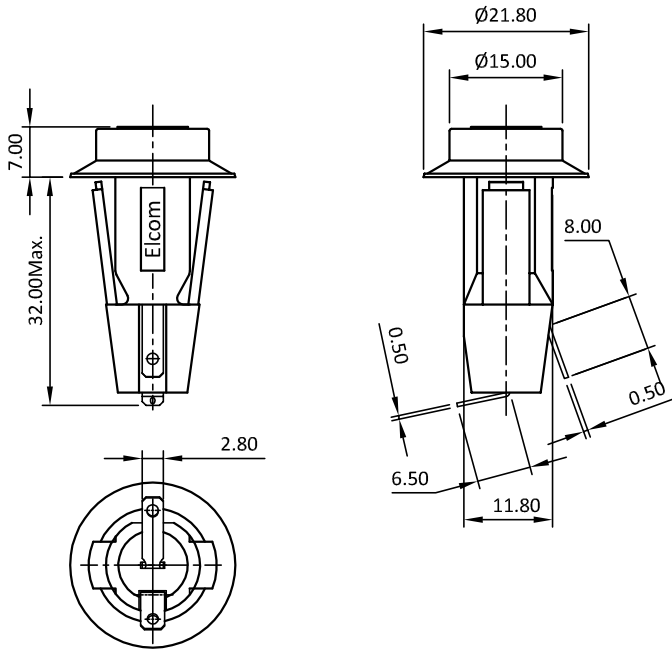
PRODUCT CODE:-

PFH-9

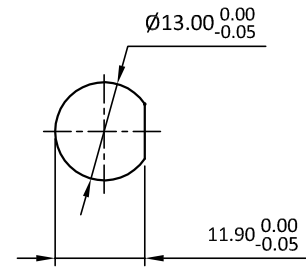
CATEGORY:-

SNAP MOUNTING FUSE HOLDER

BASIC DIMENSIONS:-



PANEL CUTOUT:-



SPECIFICATION TABLE:-

SR.NO	PARAMETER		SPECIFICATION
1	Type		Snap mounting fuse holder With coin slot cap
2	Panel Thickness		1.5mm Max.
3	Fuse Link Size		Ø5.0x20.00
4	V/A Rating		6.30 A, 250 V AC
5	Contact Resistance(Initial)		10 m Ohms Max.
6	Insulation Resistance at 500 V DC		1000 M Ohms Min.
7	H.V.Break Down Test(1-Minute)		2 KV AC
8	Mounting		Panel Snap-in
9	Terminals		Soldering
10	Permissible Temp.	(a)With/Without Load	-20°C TO +85°C
		(b)For Soldering	270° for 5 Sec. Max.
11	MATERIAL	(a) Body	Nylon
		(b) Cap	Nylon
		(c) Terminals	Brass,Tin Plating
12	Reference Standard		IEC-60127-6
13	Compliance marking		(On Request)

						APP	16.02.12	PBM	<p>Plot E-4, Kagal Five Star MIDC, Kagal, Kolhapur, MH - 416236, India</p> <p>Elcom International Pvt. Ltd.</p> <p>www.elcom-in.com</p>		
						CHK	16.02.12	GJG			
						DRN	16.02.12	<i>Pagar</i>			
REV	IS	WAS	DATE	SIGN	APP.	BY	DATE	SIGN			
UNSP.TOLERANCE			DIMNS. IN	WT(Gm)	SCALE:-		PROJECTION	SHEET	DRAWING NUMBER		
OVER	-	1	10	mm	Max.		NTS.		P P F H 2 0 0 9		
UP TO	1	10	-	Moulding, plating details as per Bill of Material							REVISION
±	0.2	0.3	0.5	Unspecified colour is Black, GF:Glass filled.							0

F:ENG-08.00

Note: Technical specifications are subject to change without prior notice

Copyright © 2019 by Elcom International Pvt.Ltd, India. All rights reserved