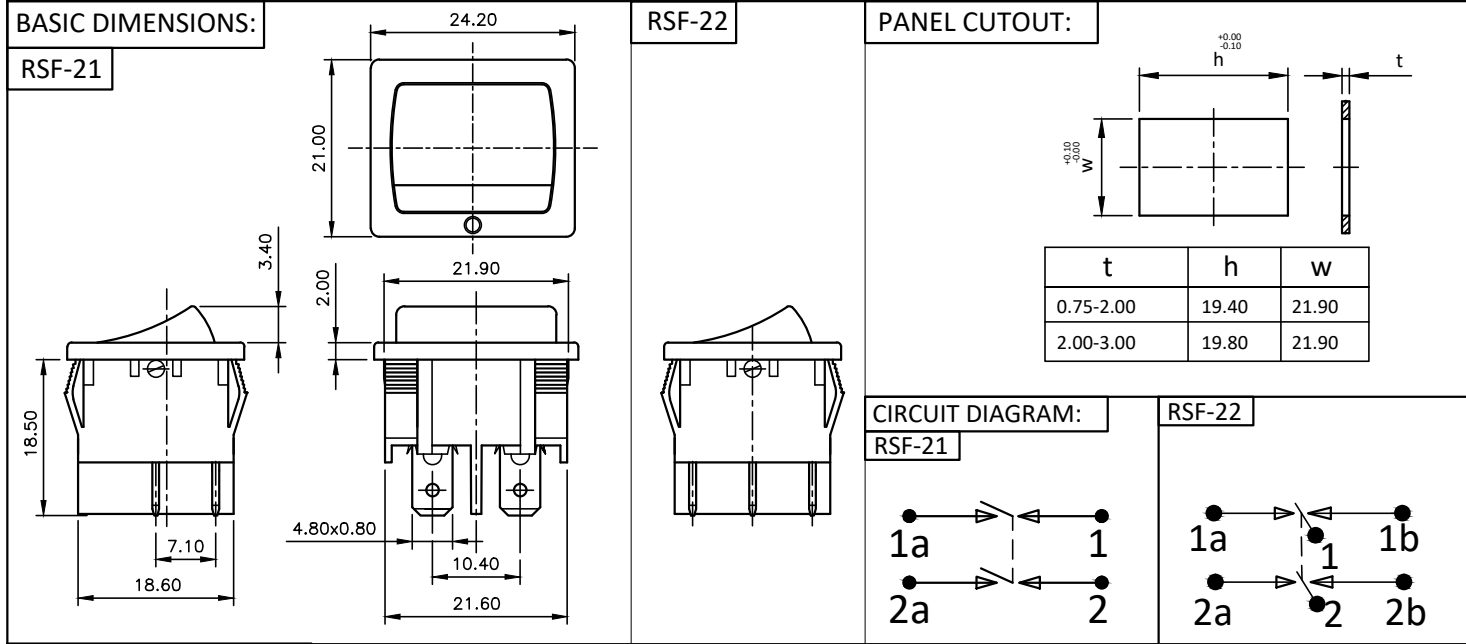


PRODUCT CODE:- RSF-21-7-Series. RSF-22-7-Series.	CATEGORY:- ROCKER SWITCH
--	---



SPECIFICATION TABLE:			
SR.NO	PARAMETER	SPECIFICATION	
1	Type	Rocker switch	
2	Panel Thickness	Refer Panel Cut out table	
3	V/A Rating	4A /6A,250 VAC	
4	Contact Resistance (Initial)	10 mohms. Max.	
5	Insulation Resistance at 500 V DC	100 Mohms Min.	
6	H.V.Break Down Test(For 1-Minute)	1 KV AC	
7	Mounting	Panel, Snap-in type	
8	Terminals	Solder-type or Snap-on 4.80x0.8	
9	Life (With load)	10,000 Cycles Min.	
10	Permissible Temp.	(a)With/Without Load	-25°C TO +85°C
		(b)For Soldering	270°C for 5 Sec Max.
11	Materials	(a) Body	Nylon
		(b) Knob	Nylon : Red, Black
		(c) Terminals	Brass/Copper, Silver plating
		(d) Contacts	Silver & Copper,Silver plating
12	Reference Standard	IEC-1058-1,UL-1054	

Series	Function	Current Rating	Knob Printing	Variety	Color Code																												
RSF	<table border="1" style="margin: 5px;"> <tr><td>21</td><td>DPST</td></tr> <tr><td>22</td><td>DPDT</td></tr> </table>	21	DPST	22	DPDT	<table border="1" style="margin: 5px;"> <tr><td>04</td><td>4A</td></tr> <tr><td>06</td><td>6A</td></tr> </table>	04	4A	06	6A	<table border="1" style="margin: 5px;"> <tr><td>-</td><td>None</td></tr> <tr><td>P1</td><td>☐</td></tr> <tr><td>P2</td><td>☐</td></tr> <tr><td>P3</td><td>☐</td></tr> <tr><td>P4</td><td>☐</td></tr> <tr><td>P5</td><td>☐</td></tr> <tr><td>P7</td><td>☐</td></tr> <tr><td>P8</td><td>☐</td></tr> </table>	-	None	P1	☐	P2	☐	P3	☐	P4	☐	P5	☐	P7	☐	P8	☐	7	<table border="1" style="margin: 5px;"> <tr><td>03</td><td>Black</td></tr> <tr><td>04</td><td>Red</td></tr> </table>	03	Black	04	Red
21	DPST																																
22	DPDT																																
04	4A																																
06	6A																																
-	None																																
P1	☐																																
P2	☐																																
P3	☐																																
P4	☐																																
P5	☐																																
P7	☐																																
P8	☐																																
03	Black																																
04	Red																																

							APP	08.06.12	PBM	 Plot E-4, Kagal Five Star MIDC, Kagal, Kolhapur, MH - 416236, India Elcom International Pvt. Ltd. www.elcom-in.com							
							CHK	08.06.12	GJG								
							DRN	08.06.12	Vicky								
REV	IS	WAS	DATE	SIGN	APP.	BY	DATE	SIGN									
UNSP.TOLERANCE			DIMNS. IN	WT(Gm)	SCALE:-		PROJECTION	SHEET	DRAWING NUMBER								
OVER	-	1	10	mm	Max.	NTS.		1 OF 1	P	R	S	F	2	0	2	1	
UP TO	1	10	-	Moulding, plating details as per Bill of Material Unspecified colour is Black, GF:Glass filled.													REVISION
±	0.2	0.3	0.5														0