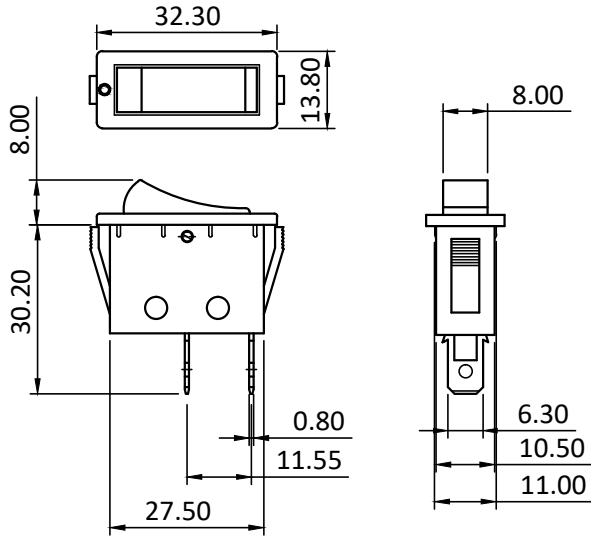


PRODUCT CODE:- **SS-6/16-5-Series**
ISS-6/16-5-Series

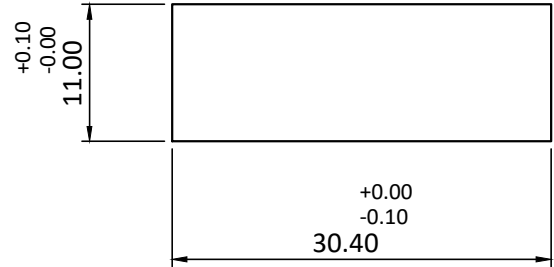
CATEGORY:- **ROCKER SWITCH**

BASIC DIMENSIONS

SS-6/16-5 Series



PANEL CUTOUT



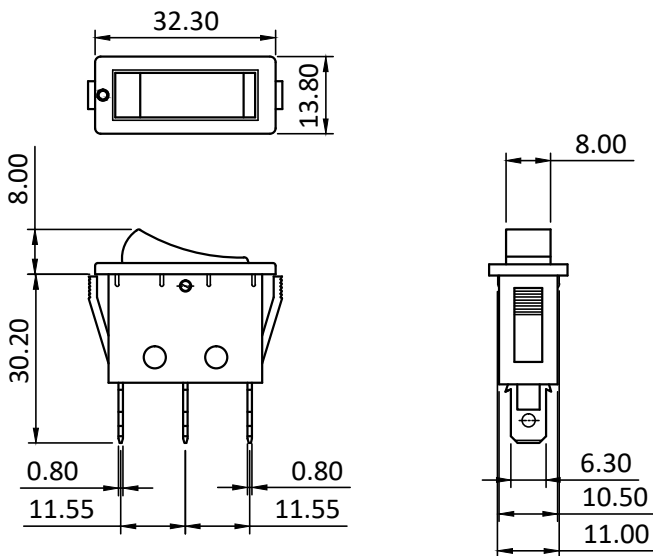
ISS-6/16-5 Series


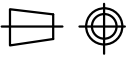
CIRCUIT DIAGRAM

SS-6-5
SPST
(SS-6/SS-6T/SS-16/SS-16T)



SPST, Illuminated
(ISS-6/ISS-16-5)



						APP	07.06.12	PBM	 Plot E-4, Kagal Five Star MIDC, Kagal, Kolhapur, MH - 416236, India Elcom International Pvt. Ltd. www.elcom-in.com		
						CHK	07.06.12	GJG			
						DRN	07.06.12	VICKY			
REV	IS	WAS	DATE	SIGN	APP.	BY	DATE	SIGN			
UNSP.TOLERANCE			DIMNS. IN	WT(Gm)	SCALE:-	PROJECTION	SHEET	DRAWING NUMBER			
OVER	-	1	10	mm	Max.	NTS.			P S S 0 2 0 0 6		
UP TO	1	10	-	Moulding, plating details as per Bill of Material Unspecified colour is Black, GF:Glass filled.				1 OF 2	REVISION		
±	0.2	0.3	0.5						0		

F:ENG-08.00

Note: Technical specifications are subject to change without prior notice

Copyright © 2019 by Elcom International Pvt.Ltd, India. All rights reserved

PRODUCT CODE:-

SS-6/16-5-Series
ISS-6/16-5-Series

CATEGORY:-

ROCKER SWITCH

SPECIFICATION TABLE

SR.NO	PARAMETER		SPECIFICATION	
1	Type		Rocker switch,	
2	Panel Thickness		3.0 Max.	
3	V/A Rating	(a) SS-6-5/ISS-6-5	SS-16-5/ISS-16-5	
		6A,250Vac	16A,250Vac	
4	Contact Resistance (Initial)		10m Ohms. Max.	
5	Insulation Resistance at 500 V DC		100M Ohms Min.	
6	H.V.Break Down Test (For 1-Minute)		1.5 KV AC	
7	Mounting		Panel, Snap-in.	
8	Terminals		Soldering/Fast on, 6.30x0.80	
9	Electrical Life		10,000 Cycles Min.	
10	Permissible Temp.	(a)With/Without Load	-25°C TO +85°C	
		(b)For Soldering	270°C for 5 Sec Max.	
11	Material	(a) Body	Nylon	
		(b) Knob	Nylon: Non-Illuminated: Red, Black,Green Polycarbonate: Illumination: Red,Green,Amber.	
		(c) Terminals	Copper Alloy, Silver Plated	
		(d) Contacts	Silver & Copper, Silver Plated	
12	Reference Standard		IEC-61058-1,UL-1054	
13	Compliance Marking		(On Request)	

ORDERING CODE

<u>Illuminated</u>	<u>Series</u>	<u>Current Rating</u>	<u>Function</u>	<u>Knob Printing</u>	<u>Variety</u>	<u>Approval</u>	<u>Knob Colour</u>																														
I	SS	<table border="1"> <tr><td>6</td><td>6A</td></tr> <tr><td>16</td><td>16A</td></tr> </table>	6	6A	16	16A	SPST	<table border="1"> <tr><td>-</td><td>None</td></tr> <tr><td>P1</td><td></td></tr> <tr><td>P2</td><td></td></tr> <tr><td>P3</td><td></td></tr> <tr><td>P4</td><td></td></tr> <tr><td>P5</td><td></td></tr> <tr><td>P7</td><td></td></tr> <tr><td>P8</td><td></td></tr> </table>	-	None	P1		P2		P3		P4		P5		P7		P8		5	<table border="1"> <tr><td>No Suffix</td><td>Non RoHS</td></tr> <tr><td>V</td><td></td></tr> </table>	No Suffix	Non RoHS	V		<table border="1"> <tr><td>04</td><td>Red</td></tr> <tr><td>07</td><td>Green</td></tr> <tr><td>11</td><td>Amber</td></tr> </table>	04	Red	07	Green	11	Amber
6	6A																																				
16	16A																																				
-	None																																				
P1																																					
P2																																					
P3																																					
P4																																					
P5																																					
P7																																					
P8																																					
No Suffix	Non RoHS																																				
V																																					
04	Red																																				
07	Green																																				
11	Amber																																				

<u>Series</u>	<u>Current Rating</u>	<u>Function</u>	<u>Knob Printing</u>	<u>Variety</u>	<u>Approval</u>	<u>Knob Colour</u>																																
SS	<table border="1"> <tr><td>6</td><td>6A</td></tr> <tr><td>16</td><td>16A</td></tr> </table>	6	6A	16	16A	SPST	<table border="1"> <tr><td>-</td><td>None</td></tr> <tr><td>P1</td><td></td></tr> <tr><td>P2</td><td></td></tr> <tr><td>P3</td><td></td></tr> <tr><td>P4</td><td></td></tr> <tr><td>P5</td><td></td></tr> <tr><td>P7</td><td></td></tr> <tr><td>P8</td><td></td></tr> </table>	-	None	P1		P2		P3		P4		P5		P7		P8		5	<table border="1"> <tr><td>No Suffix</td><td>Non RoHS</td></tr> <tr><td>V</td><td></td></tr> </table>	No Suffix	Non RoHS	V		<table border="1"> <tr><td>03</td><td>Black</td></tr> <tr><td>04</td><td>Red</td></tr> <tr><td>07</td><td>Green</td></tr> <tr><td>10</td><td>White</td></tr> </table>	03	Black	04	Red	07	Green	10	White
6	6A																																					
16	16A																																					
-	None																																					
P1																																						
P2																																						
P3																																						
P4																																						
P5																																						
P7																																						
P8																																						
No Suffix	Non RoHS																																					
V																																						
03	Black																																					
04	Red																																					
07	Green																																					
10	White																																					

						APP	07.06.12	PBM	<p>Plot E-4, Kagal Five Star MIDC, Kagal, Kolhapur, MH - 416236, India</p> <p>Elcom International Pvt. Ltd.</p> <p>www.elcom-in.com</p>	
						CHK	07.06.12	GJG		
						DRN	07.06.12	VICKY		
REV	IS	WAS	DATE	SIGN	APP.	BY	DATE	SIGN		
UNSP.TOLERANCE			DIMNS. IN	WT(Gm)	SCALE:-	PROJECTION	SHEET	DRAWING NUMBER		
OVER	-	1	10	mm	Max.	NTS.	2 OF 2	P S S 0 2 0 0 6		
UP TO	1	10	-	Moulding, plating details as per Bill of Material Unspecified colour is Black, GF:Glass filled.				REVISION		
±	0.2	0.3	0.5					0		

F:ENG-08.00

Note: Technical specifications are subject to change without prior notice

Copyright © 2019 by Elcom International Pvt.Ltd, India. All rights reserved