

PRODUCT CODE:-

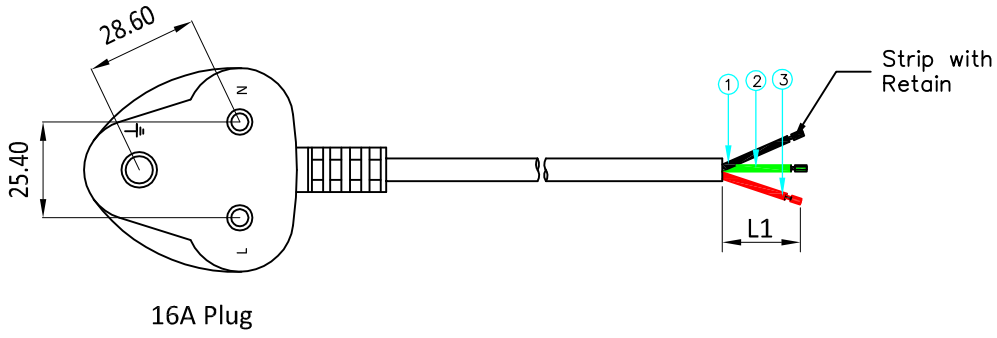
EPC-16 Series

CATEGORY:-

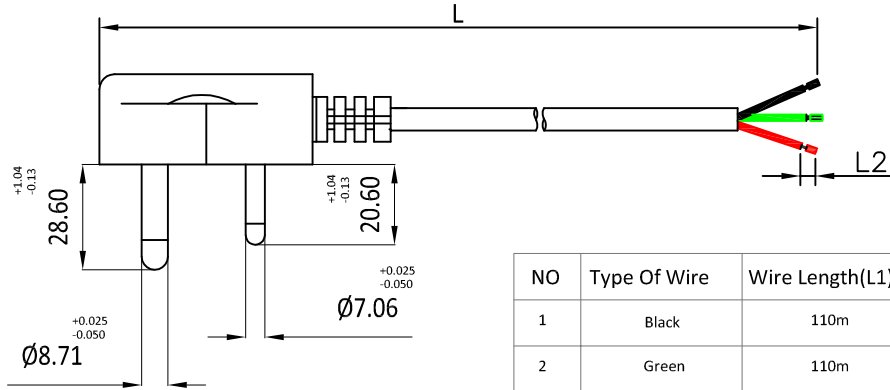
CORD SET

BASIC DIMENSIONS:-

EPC-16

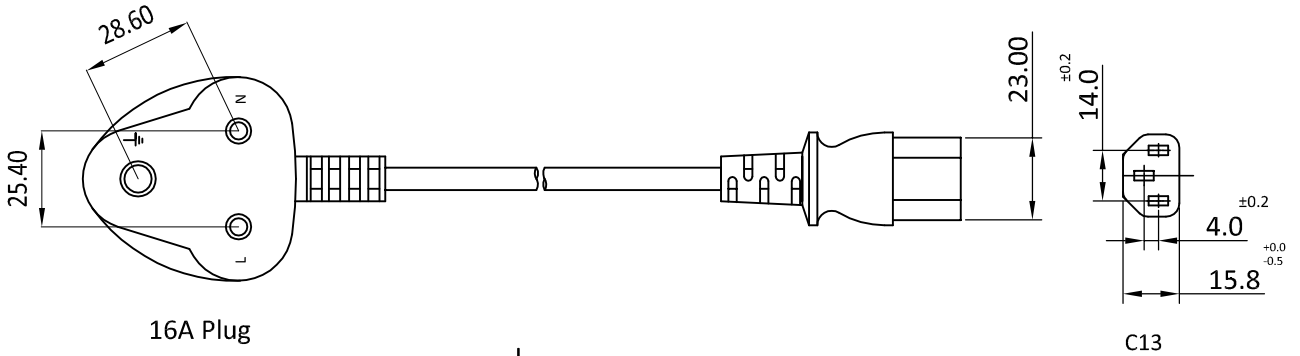


16A Plug



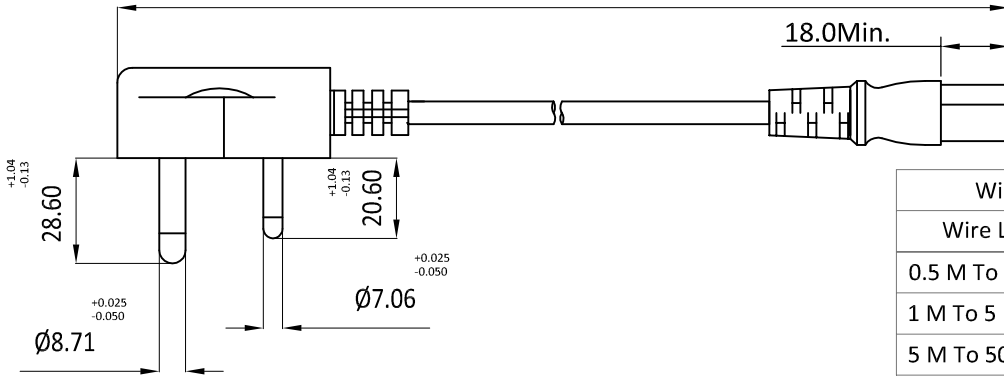
NO	Type Of Wire	Wire Length(L1)	Striping Length(L2)
1	Black	110m	10mm
2	Green	110m	10mm
3	Red	110m	10mm

EPC-16 & C13




16A Plug

C13



Wire Length Tolerance	
Wire Length (L)	Tolerance
0.5 M To 1 M	±0.1M
1 M To 5 M	±0.1M
5 M To 50 M	±0.1M

						APP	07.06.18	GJG	 <p>Plot E-4, Kagal Five Star MIDC, Kagal, Kolhapur, MH - 416236, India Elcom International Pvt. Ltd. www.elcom-in.com</p>
						CHK	07.06.18	DPP	
						DRN	07.06.18	VNS	
REV	IS	WAS	DATE	SIGN	APP.	BY	DATE	SIGN	
UNSP.TOLERANCE			DIMNS. IN	WT(Gm)	SCALE:-	PROJECTION	SHEET	DRAWING NUMBER	
OVER	-	1	10	mm	Max.	NTS.	1 OF 3	P E M C 9 5 1 5	
UP TO	1	10	-	Moulding, plating details as per Bill of Material			REVISION		
±	0.2	0.3	0.5	Unspecified colour is Black, GF:Glass filled.			0		

F:ENG-08.00

Note: Technical specifications are subject to change without prior notice

Copyright © 2019 by Elcom International Pvt.Ltd, India. All rights reserved

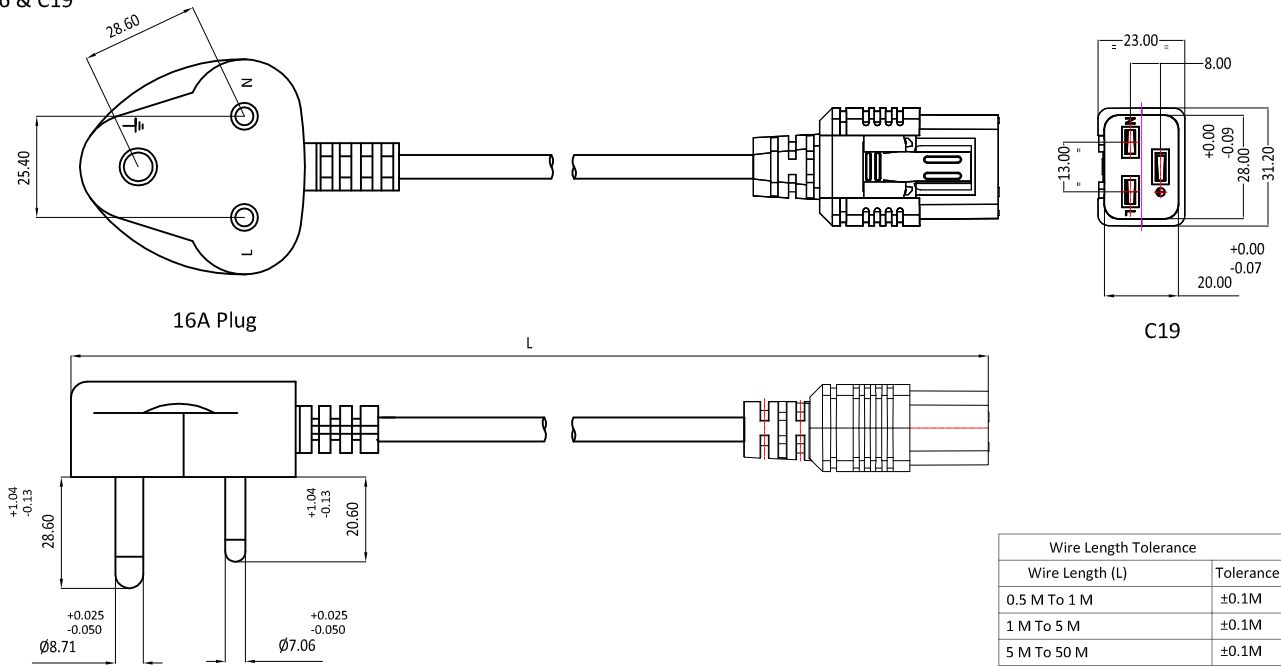
PRODUCT CODE:-

EPC-16 Series

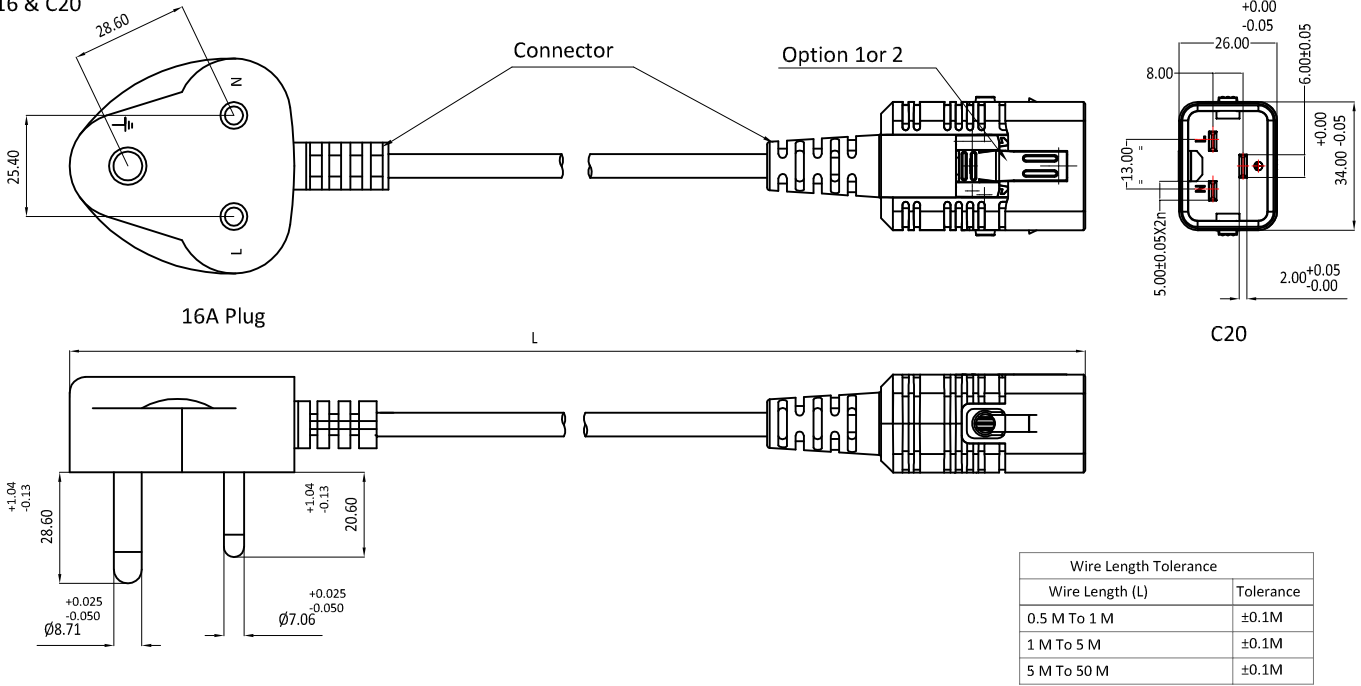
CATEGORY:-


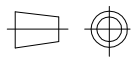
CORD SET

EPC-16 & C19



EPC-16 & C20



							APP	07.06.18	GJG	 <p>Plot E-4, Kagal Five Star MIDC, Kagal, Kolhapur, MH - 416236, India Elcom International Pvt. Ltd. www.elcom-in.com</p>				
							CHK	07.06.18	DPP					
							DRN	07.06.18	VNS					
REV	IS	WAS	DATE	SIGN	APP.	BY	DATE	SIGN						
UNSP.TOLERANCE			DIMNS. IN	WT(Gm)	SCALE:-	PROJECTION	SHEET	DRAWING NUMBER						
OVER	-	1	10	mm	Max.	NTS.		2 OF 3	P E M C 9 5 1 5					REVISION
UP TO	1	10	-	Moulding, plating details as per Bill of Material Unspecified colour is Black, GF:Glass filled.										0
±	0.2	0.3	0.5											

F:ENG-08.00

Note: Technical specifications are subject to change without prior notice

Copyright © 2019 by Elcom International Pvt.Ltd, India. All rights reserved


PRODUCT CODE:-

EPC-16 Series

CATEGORY:-

CORD SET

SPECIFICATION TABLE :-

SR.NO	PARAMETER		SPECIFICATION
1	Type		Three Pin integrally moulded Plug.
2	V/A Rating	16A Indian Plug	16 Amp,250 V AC
		C20	16 Amp,250 V AC
		C19	16 Amp,250 V AC
		C13	10 Amp,250 V AC
3	Insulation Resistance at 500 V DC		100 M Ohms Min.
4	H.V.Break Down Test(For 1-Minute)		1.5 KV AC.
5	Permissible Temp.	With/Without Load	-20°C TO 70°C
6	Length (L), Meters		As per requirement,Standard=1.5
7	MATERIAL	(a) Cable	PVC
		(b) Conductors	Copper
		(c) Conductor Size	1.50 Sq.mm
		(d) Contacts	Brass, Nickel Plated
8	Reference Standard		IS-1293, IEC-60884-1, IEC-60799, IES-60227, IEC-60320-1
9	Compliance Marking		 (On request, Please refer ordering code for suffix)

ORDERING CODE:-

EPC-16

Wire size

Combination


Length(L)


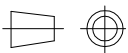
Compliance Marking

Type	wire size	current Rating
1B	1.5mm <sup>2</sup>	16A

1	16A Indian Plug with one end open
4	16A Indian Plug with C19
5	16A Indian Plug with C13
6	16A Indian Plug with C20

Length as per Requirement.	
1.0	1.0 Meter
1.5	1.5 Meter
2.0	2.0 Meter

NO SUFFIX	Without Approval
V	

						APP	07.06.18	GJG	 Plot E-4, Kagal Five Star MIDC, Kagal, Kolhapur, MH - 416236, India Elcom International Pvt. Ltd. www.elcom-in.com
						CHK	07.06.18	DPP	
						DRN	07.06.18	VNS	
REV	IS	WAS	DATE	SIGN	APP.	BY	DATE	SIGN	
UNSP.TOLERANCE			DIMNS. IN	WT(Gm)	SCALE:-	PROJECTION	SHEET	DRAWING NUMBER	
OVER	-	1	10	mm	Max.	NTS.		3 OF 3	P E M C 9 5 1 5
UP TO	1	10	-	Moulding, plating details as per Bill of Material Unspecified colour is Black, GF:Glass filled.					REVISION
±	0.2	0.3	0.5						0

F:ENG-08.00

Note: Technical specifications are subject to change without prior notice

Copyright © 2019 by Elcom International Pvt.Ltd, India. All rights reserved