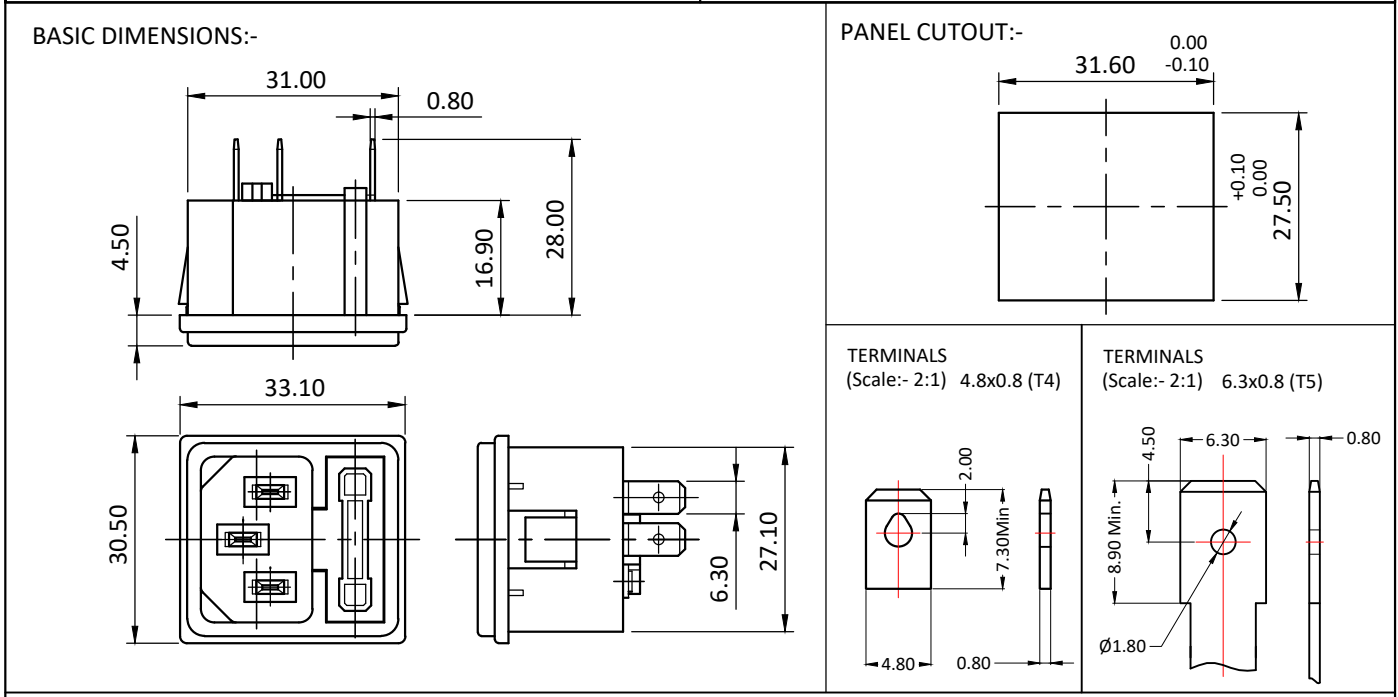


PRODUCT CODE:- EMI-11-X (Series)	CATEGORY:- IEC INLET
--	------------------------------------



SPECIFICATION TABLE :-

SR.NO.	PARAMETER	SPECIFICATION	
1	V/A Rating	10A 250V AC	
2	Contact Resistance (Initial)	20 mohms max.	
3	Insulation Resistance At 500 V DC	1000 Mohms min.	
4	H.V.Break Down Test (For 1-Minute)	2 KV AC	
5	Panel Thickness Other : Available on request	Standard : 1.5 Refer Ordering Table	
6	Mounting	Panel, Snap-in type	
7	Terminals	Solder-type or Fast-on 4.8/6.3	
8	Permissible Temp.	(a) With/Without Load	-25°C To 70°C
		(b) For Soldering	270°C for 5 Sec. max.
9	Material	(a) Body	Nylon-6, GF20%, V-2
		(b) Terminals	Brass, Tin plating
		(c) Contacts	Brass / Copper, Nickel plating
10	Reference Standards	IEC 60320-1, IEC 60127-6, CSA : C22.2 No.60320-1-11	
11	Compliance Marking		
12	Approvals		

ORDERING CODE:-

SERIES <div style="border: 1px solid black; padding: 2px; display: inline-block;">EMI-11</div>	PANEL THICKNESS <table border="1" style="width:100%; border-collapse: collapse;"> <tr><td>No Suffix</td><td>1.5</td></tr> <tr><td>K</td><td>0.9</td></tr> <tr><td>A</td><td>1.0</td></tr> <tr><td>B</td><td>1.2</td></tr> <tr><td>D</td><td>1.8</td></tr> <tr><td>E</td><td>2.0</td></tr> <tr><td>G</td><td>2.5</td></tr> <tr><td>J</td><td>3.0</td></tr> </table>	No Suffix	1.5	K	0.9	A	1.0	B	1.2	D	1.8	E	2.0	G	2.5	J	3.0	TERMINAL DETAILS <table border="1" style="width:100%; border-collapse: collapse;"> <thead> <tr> <th></th> <th></th> <th>A (Capsule Hole)</th> <th>B (Drop Hole)</th> <th>C (Fast-on)</th> </tr> </thead> <tbody> <tr> <td>T4</td> <td>4.8x0.80</td> <td></td> <td></td> <td></td> </tr> <tr> <td>T5</td> <td>6.3x0.80</td> <td></td> <td></td> <td></td> </tr> </tbody> </table>			A (Capsule Hole)	B (Drop Hole)	C (Fast-on)	T4	4.8x0.80				T5	6.3x0.80			
No Suffix	1.5																																
K	0.9																																
A	1.0																																
B	1.2																																
D	1.8																																
E	2.0																																
G	2.5																																
J	3.0																																
		A (Capsule Hole)	B (Drop Hole)	C (Fast-on)																													
T4	4.8x0.80																																
T5	6.3x0.80																																

EXAMPLE :-
 1)EMI-11-T4B
 2)EMI-11-BT4B

						APP	18.05.06	SBP	 Plot E-4, Kagal Five Star MIDC, Kagal, Kolhapur, MH - 416236, India Elcom International Pvt. Ltd. www.elcom-in.com
						CHK	18.05.06	SNV	
						DRN	18.05.06	SNV	
REV	IS	WAS	DATE	SIGN	APP.	BY	DATE	SIGN	
UNSP.TOLERANCE			DIMNS. IN	WT(Gm)	SCALE:-	PROJECTION	SHEET	DRAWING NUMBER	
OVER	-	1	10	mm	Max.	NTS.	1 OF 1	P E M I 9 0 1 1	
UP TO	1	10	-	Moulding, plating details as per Bill of Material Unspecified colour is Black, GF:Glass filled.				REVISION	0
±	0.2	0.3	0.5						