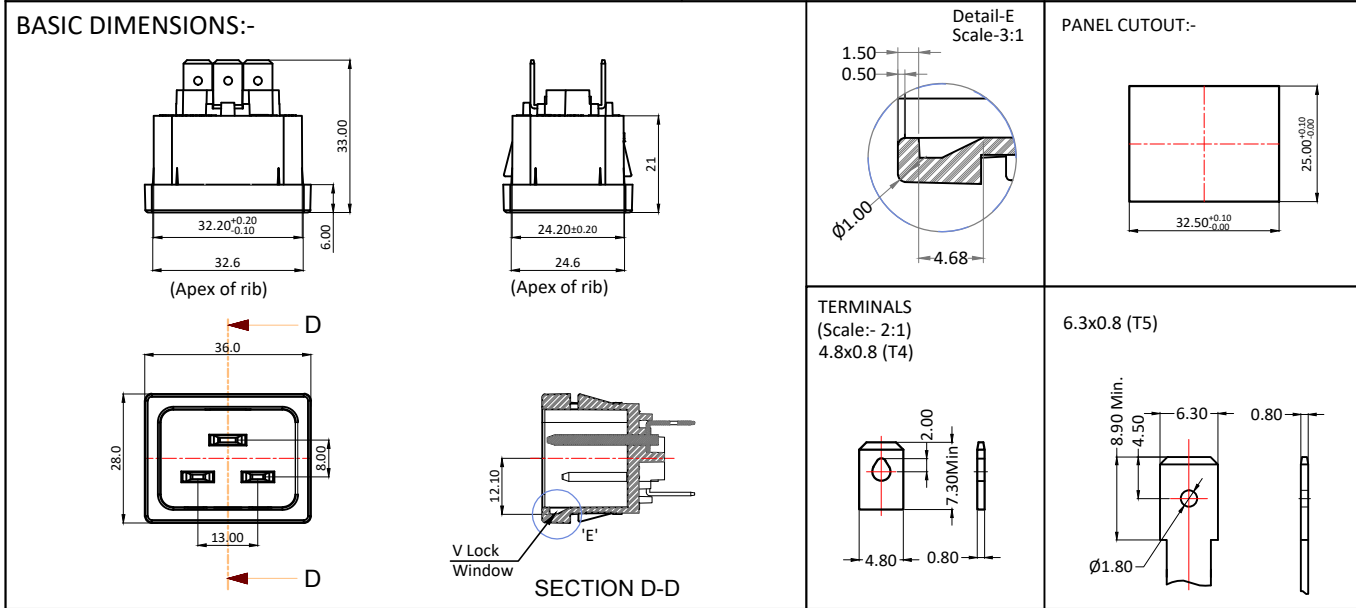


PRODUCT CODE:- EMI-18-V (Series) V Lock variety	CATEGORY:- IEC INLET
--	-----------------------------



SPECIFICATION TABLE:-		
SR.NO.	PARAMETER	SPECIFICATION
1	V/A Rating	16A 250V AC
		20A 250V AC
2	Contact Resistance (Initial)	20 m ohms max.
3	Insulation Resistance At 500 V DC	1000 M ohms min.
4	H.V.Break Down Test (For 1-Minute)	2 KV AC
5	Panel Thickness	Standard : 1.5
	Other : Available on request	Refer Ordering Table
6	Mounting	Panel, Snap-in type
7	Terminals	Solder-type / Fast-On
8	Permissible Temp.	(a) With/Without Load 0°C To 70°C
		(b) For Soldering 0°C To 65°C
9	Material.	(a) Body Nylon-6, GF20%, V-2
		(b) Terminals Brass, Tin plating
		(c) Contacts Brass, Nickel plating
10	Reference Standard	IEC 60320-1, IEC 60320-3, UL-498, CSA : C22.2 No.182.3
11	Compliance Marking	
12	Approvals	

⊕ Also available for temp. rating up to 125°C on request (For UL only)

ORDERING CODE:-																																	
SERIES	PANEL THICKNESS	TERMINAL DETAILS	VARIETY																														
EMI-18	<table border="1" style="width:100%; border-collapse: collapse;"> <tr><td>No Suffix</td><td>1.5</td></tr> <tr><td>K</td><td>0.9</td></tr> <tr><td>A</td><td>1.0</td></tr> <tr><td>B</td><td>1.2</td></tr> <tr><td>D</td><td>1.8</td></tr> <tr><td>E</td><td>2.0</td></tr> <tr><td>G</td><td>2.5</td></tr> <tr><td>J</td><td>3.0</td></tr> </table>	No Suffix	1.5	K	0.9	A	1.0	B	1.2	D	1.8	E	2.0	G	2.5	J	3.0	<table border="1" style="width:100%; border-collapse: collapse;"> <thead> <tr> <th></th> <th>A (Capsule Hole)</th> <th>B (Drop Hole)</th> <th>C (Fast-on)</th> </tr> </thead> <tbody> <tr> <td>T4 4.8x0.80</td> <td></td> <td></td> <td></td> </tr> <tr> <td>T5 6.3x0.80</td> <td></td> <td></td> <td></td> </tr> </tbody> </table>		A (Capsule Hole)	B (Drop Hole)	C (Fast-on)	T4 4.8x0.80				T5 6.3x0.80				<table border="1" style="width:100%; border-collapse: collapse;"> <tr> <td>1V2</td> <td>V Lock variety</td> </tr> </table>	1V2	V Lock variety
No Suffix	1.5																																
K	0.9																																
A	1.0																																
B	1.2																																
D	1.8																																
E	2.0																																
G	2.5																																
J	3.0																																
	A (Capsule Hole)	B (Drop Hole)	C (Fast-on)																														
T4 4.8x0.80																																	
T5 6.3x0.80																																	
1V2	V Lock variety																																

EXAMPLE :-
 1)EMI-18-T5B-1V2
 2)EMI-18-BT5B-1V2

												 Plot E-4, Kagal Five Star MIDC, Kagal, Kolhapur, MH - 416236, India Elcom International Pvt. Ltd. www.elcom-in.com
					APP	09.08.16	GJG					
					CHK	09.08.16	PGP					
					DRN	09.08.16	<i>Pagar</i>					
REV	IS	WAS	DATE	SIGN	APP.	BY	DATE	SIGN				
UNSP.TOLERANCE				DIMNS. IN	WT(Gm)	SCALE:-	PROJECTION	SHEET	DRAWING NUMBER			
OVER	-	1	10	mm	Max.	NTS.		1 OF 1	P E M I 2 0 1 8			
UP TO	1	10	-	Moulding, plating details as per Bill of Material Unspecified colour is Black, GF:Glass filled.					REVISION			
±	0.2	0.3	0.5						0			