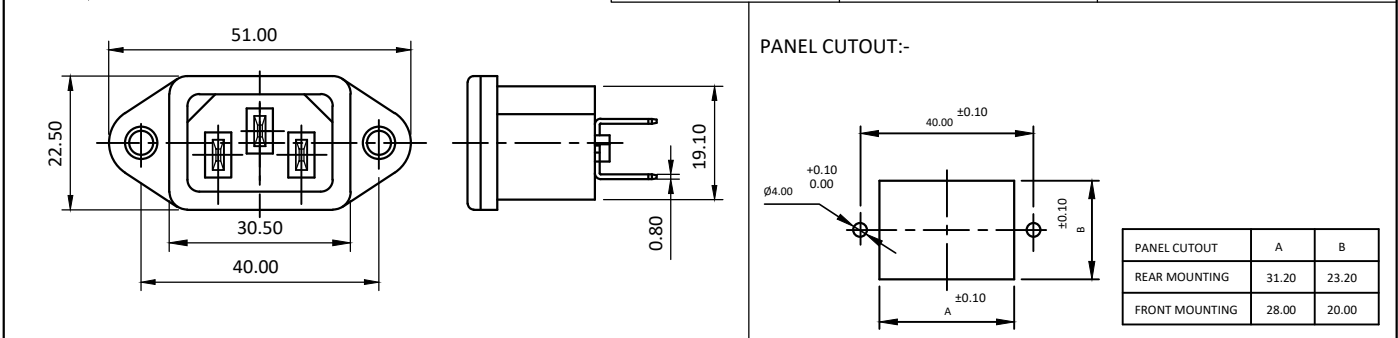
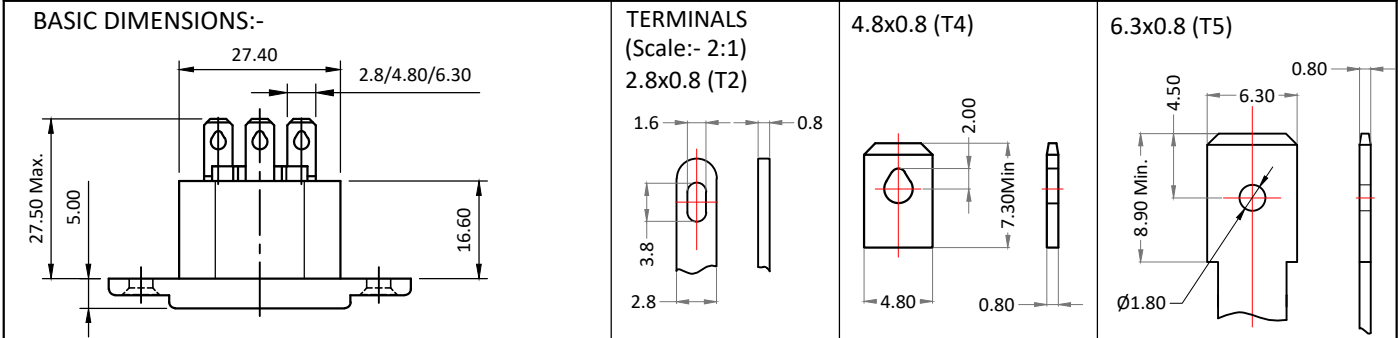


PRODUCT CODE:- **EMI-20-X (Series)** CATEGORY:- **IEC INLET**



SPECIFICATION TABLE:-

SR.NO.	PARAMETER	RAMARKS.	
1	V/A Rating	10A 250V AC 15A 250V AC	
2	Contact resistance (Initial)	10 mohms max.	
3	Insulation resistance at 500 V DC	1000 Mohms min.	
4	H.V.Break down test (For 1-Minute)	2 KV AC	
5	Panel thickness (Max.)	--	
6	Mounting	Panel, Screw-type	
7	Terminals	Solder-type / Fast on 2.8/4.8/6.3	
8	Permissible temp.	(a)With/Without load	0°C To 70°C 0°C To 65°C
		(b)For Soldering	270°C for 5 Sec. max.
9	Material	(a)Body	Nylon-6, GF20%, V-2
		(b)Terminals	Brass, Tin plating
		(c)Contacts	Brass, Nickel plating
10	Reference standards	IEC 60320-1, IEC 60320-3, UL-498, CSA : C22.2 No.182.3	
11	Compliance Marking		
12	Approvals		

: Also available for temp. rating up to 125°C on request (For UL only)

ORDERING CODE:-

SERIES: **EMI-20**

TERMINAL DETAILS:

		A (Capsule Hole)	B (Drop Hole)	C (Fast-on)
T2	2.8x0.80			
T4	4.8x0.80			
T5	6.3x0.80			

EXAMPLE :-
1)EMI-20-T4C

						APP	18.05.06	SBP	Plot E-4, Kagal Five Star MIDC, Kagal, Kolhapur, MH - 416236, India Elcom International Pvt. Ltd. www.elcom-in.com				
						CHK	18.05.06	SNV					
						DRN	18.05.06	SNV					
REV	IS	WAS	DATE	SIGN	APP.	BY	DATE	SIGN					
UNSP.TOLERANCE		DIMNS. IN mm	WT(Gm) Max.	SCALE:- NTS.	PROJECTION	SHEET	DRAWING NUMBER						
OVER	-						1	10	1 OF 1	P	E	M	I
UP TO	±	0.2	0.3	0.5	Moulding, plating details as per Bill of Material Unspecified colour is Black, GF:Glass filled.			1	0				