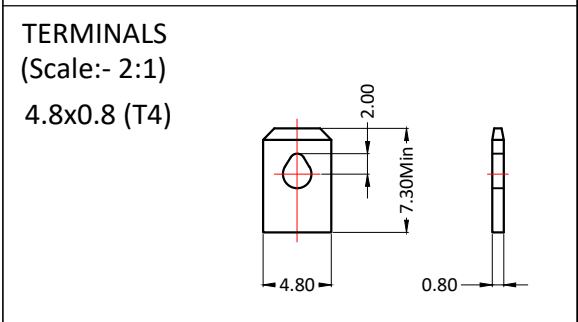
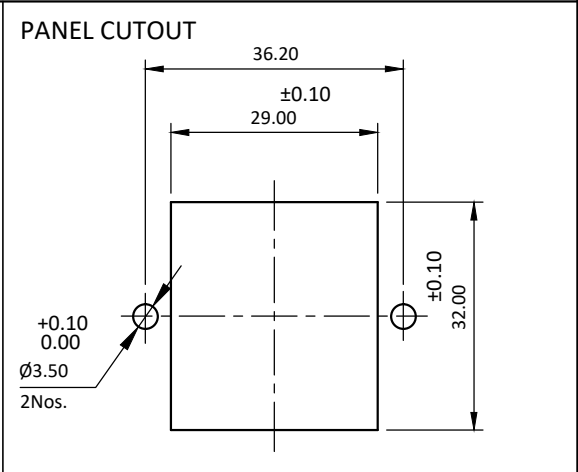
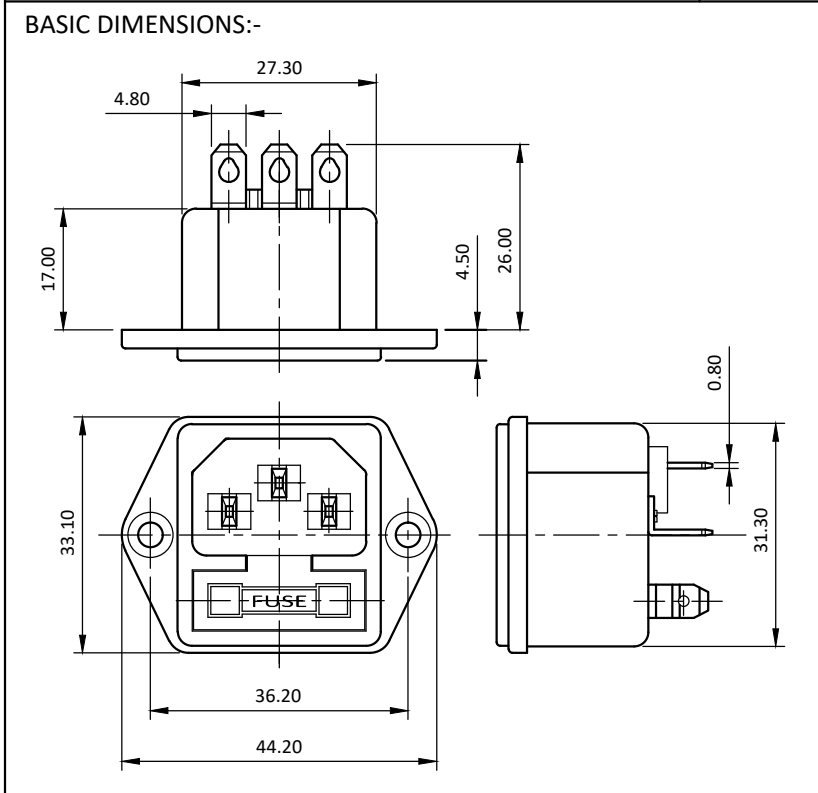


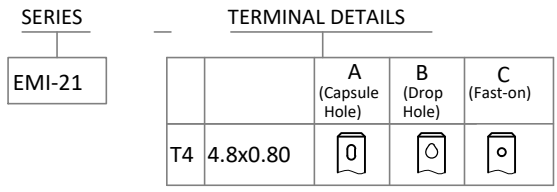
PRODUCT CODE:- **EMI-21-X** CATEGORY:- **IEC INLET**



SPECIFICATION TABLE:-

SR.NO.	PARAMETER		SPECIFICATION
1	V/A Rating		10A 250V AC
2	Contact Resistance (Initial)		20 mohms max.
3	Insulation Resistance At 500 V DC		1000 Mohms min.
4	H.V.Break Down Test (For 1-Minute)		2 KV AC
5	Mounting		Panel, Screw-type
6	Terminals		Solder-type / Fast-On 4.8
7	Permissible Temp.	(a) With/Without Load	-25°C To 70°C
		(b) For Soldering	270°C for 5 Sec. max.
8	Material	(a) Body	Nylon-6, GF20%, V-2
		(b) Terminals	Brass, Tin/Nickel plating
		(c) Contacts	Brass/Copper, Tin/Nickel plating
9	Reference Standards		IEC 60320-1, IEC 60127-6, CSA : C22.2 No.60320-1-11
10	Compliance Marking		
11	Approvals		

ORDERING CODE:-



EXAMPLE :-
1)EMI-21-T4B

APP	21.12.04	SBP	<p>Plot E-4, Kagal Five Star MIDC, Kagal, Kolhapur, MH - 416236, India Elcom International Pvt. Ltd. www.elcom-in.com</p>												
CHK															
DRN	21.12.04	SNV													
REV	IS	WAS	DATE	SIGN	APP.	BY	DATE	SIGN							
UNSP.TOLERANCE		DIMNS. IN	WT(Gm)	SCALE:-	PROJECTION	SHEET	DRAWING NUMBER								
OVER	- 1 10	mm	Max.	NTS.		1 OF 1	P	E	M	I	9	0	2	1	REVISION
UP TO	1 10 -	Moulding, plating details as per Bill of Material													0
±	0.2 0.3 0.5	Unspecified colour is Black, GF:Glass filled.													