

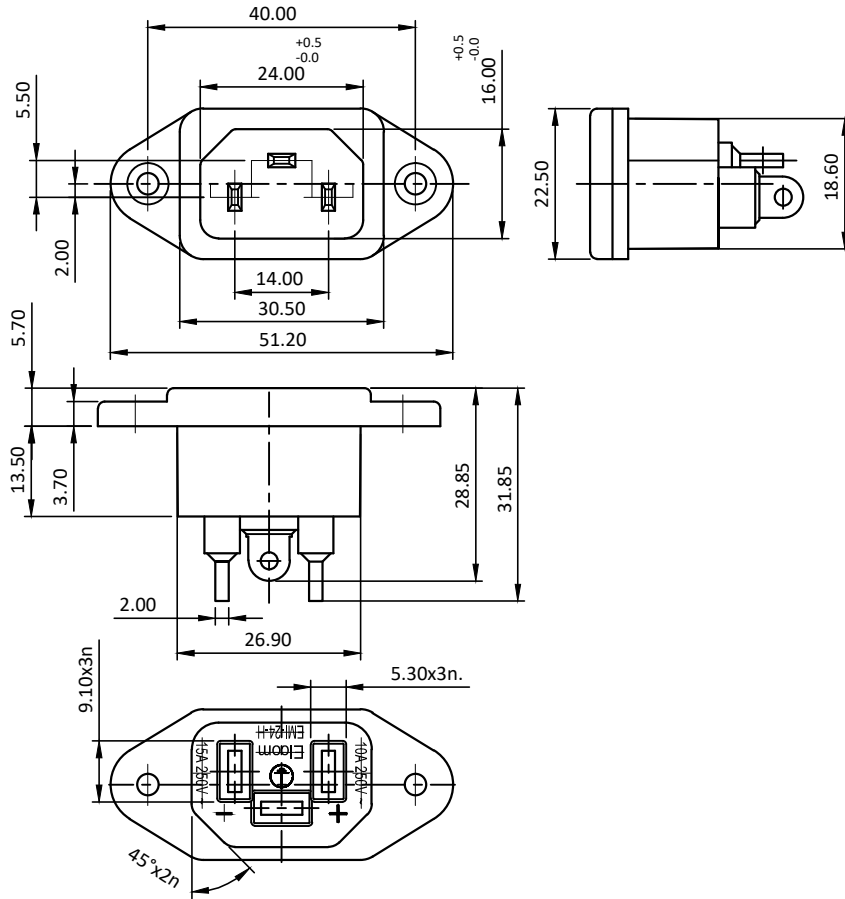
PRODUCT CODE:-

EMI-24-H

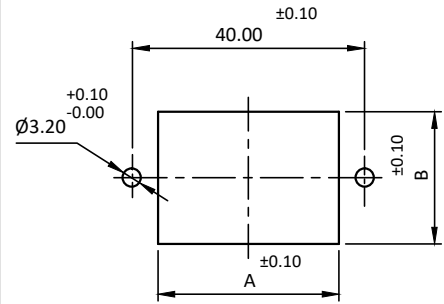
CATEGORY:-

IEC INLET

BASIC DIMENSIONS:-




PANEL CUTOUT:-



| PANEL CUTOUT | A | B |
|----------------|-------|-------|
| REAR MOUNTING | 31.20 | 23.20 |
| FRONT MOUNTING | 28.00 | 20.00 |

SPECIFICATION TABLE:-

| SR.NO. | PARAMETER | SPECIFICATIONS | |
|--------|-----------------------------------|---|-----------------------|
| 1 | V/A Rating | 10A 250V AC (IEC) 15A 250V AC (Extended) | |
| 2 | Contact resistance (Initial) | 10 mohms max. | |
| 3 | Insulation resistance at 500 V DC | 1000 Mohms min. | |
| 4 | H.V.Break down test (For 1minute) | 2 KV AC | |
| 5 | Panel thickness (Max.) | -- | |
| 6 | Mounting | Panel, Screw-type | |
| 7 | Terminals | Solder-type | |
| 8 | Permissible temp. | (a)With/Without load | 0° To 70°C |
| | | (b)For Soldering | 270°C for 5 Sec. max. |
| 9 | Material | (a)Body | Nylon |
| | | (b)Contacts, Terminals | Brass, Tin plating |
| 10 | Reference Standard | IEC 60320-1 | |

| | | | | | | | | |
|----------------|----------|-----|---|---|---------|------------|--------|-----------------|
| APP | 18.05.06 | SBP |  <p>Plot E-4, Kagal Five Star MIDC, Kagal, Kolhapur, MH - 416236, India</p> <p>Elcom International Pvt. Ltd.</p> <p>www.elcom-in.com</p> | | | | | |
| CHK | 18.05.06 | SNV | | | | | | |
| DRN | 18.05.06 | SNV | | | | | | |
| REV | IS | WAS | DATE | SIGN | APP. | BY | DATE | SIGN |
| UNSP.TOLERANCE | | | DIMNS. IN | WT(Gm) | SCALE:- | PROJECTION | SHEET | DRAWING NUMBER |
| OVER | - | 1 | 10 | mm | Max. | NTS. | 1 OF 1 | P E M I 9 2 4 H |
| UP TO | 1 | 10 | - | Moulding, plating details as per Bill of Material | | | | REVISION |
| ± | 0.2 | 0.3 | 0.5 | Unspecified colour is Black, GF:Glass filled. | | | | 0 |

F:ENG-08.00

Note: Technical specifications are subject to change without prior notice

Copyright © 2019 by Elcom International Pvt.Ltd, India. All rights reserved