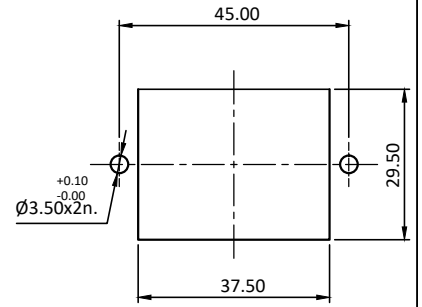
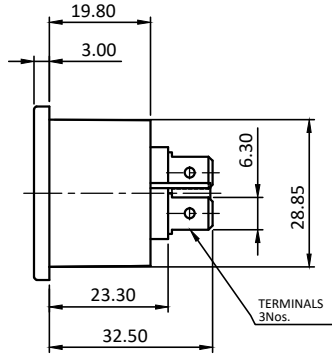
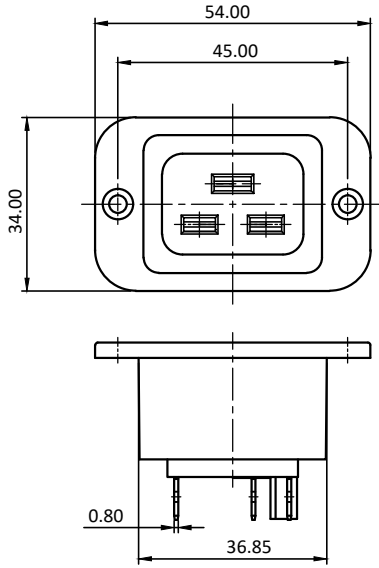


PRODUCT CODE:-

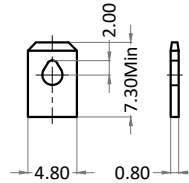
**EMO-28-W**

CATEGORY:-

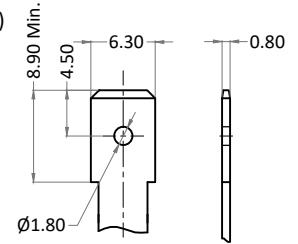
**IEC OUTLET**



TERMINALS  
(Scale:- 2:1)  
4.8x0.8 (T4)



6.3x0.8 (T5)

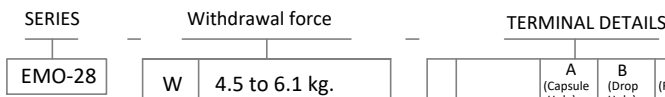


**SPECIFICATION TABLE:-**

SR.NO.	PARAMETER	REMARKS	
1	V/A Rating	16A 250V AC  20A 250V AC	
2	Contact resistance (Initial)	10 m ohms max.	
3	Insulation resistance at 500 V DC	1000 M ohms min.	
4	H.V.Break down test (For 1minute)	2 KV AC	
5	Panel thickness maximum	--	
6	Mounting	Panel, Screw-type	
7	Terminals	Solder-type or Fast-On	
8	Withdrawal force:	4.5 to 6.1 kg.	
9	Permissible temp.	(a) With/Without load	0°C To 70°C  0°C To 65°C
		(b) For Soldering	270°C for 5 Sec. max.
10	Material	(a) Body	Nylon-6, GF20%, V-2
		(b) Contacts, Terminals	Brass, Tin plating
11	Reference standard	IEC 60320-1, IEC 60320-3, UL-498, CSA:C22.2 No.182.3	
12	Compliance Marking		
13	Approvals		

⊙: Also available for temp. rating up to 125°C on request (For UL only)

**ORDERING CODE:-**



EXAMPLE :-

- 1)EMO-28-W-T4A
- 2)EMO-28-T5A

APP	13.12.07	PBM	Plot E-4, Kagal Five Star MIDC, Kagal, Kolhapur, MH - 416236, India Elcom International Pvt. Ltd. www.elcom-in.com						
CHK	13.12.07	GJG							
DRN	13.12.07	UAJ							
REV	IS	WAS	DATE	SIGN	APP.	BY	DATE	SIGN	
UNSP.TOLERANCE		DIMNS. IN	WT(Gm)	SCALE:-	PROJECTION	SHEET	DRAWING NUMBER		
OVER	- 1 10	mm	Max.	NTS.		1 OF 1	P E M O 9 2 8 W		
UP TO	± 0.2 0.3 0.5	Moulding, plating details as per Bill of Material Unspecified colour is Black, GF:Glass filled.						REVISION	0

F:ENG-08.00

Note: Technical specifications are subject to change without prior notice

Copyright © 2019 by Elcom International Pvt.Ltd, India. All rights reserved