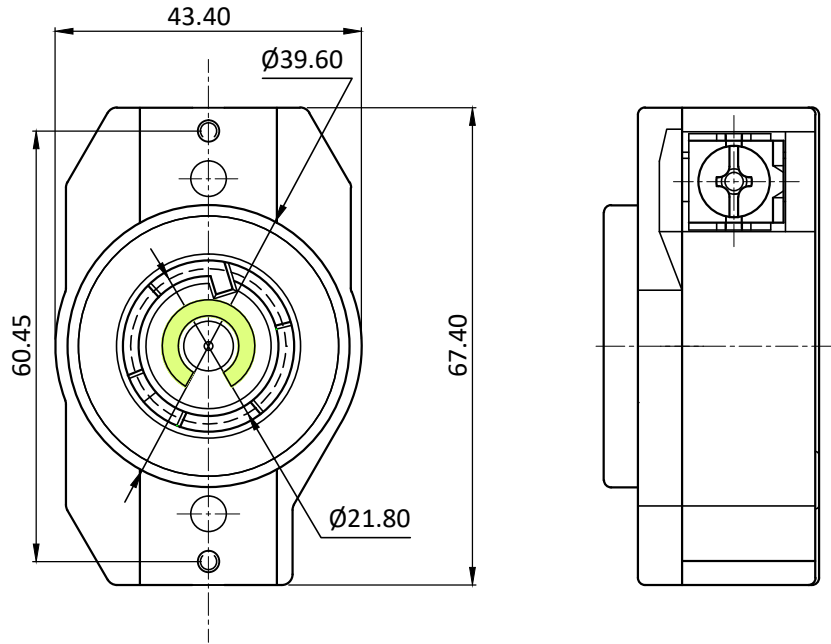


PRODUCT CODE:- **ENO-3112-R Series**

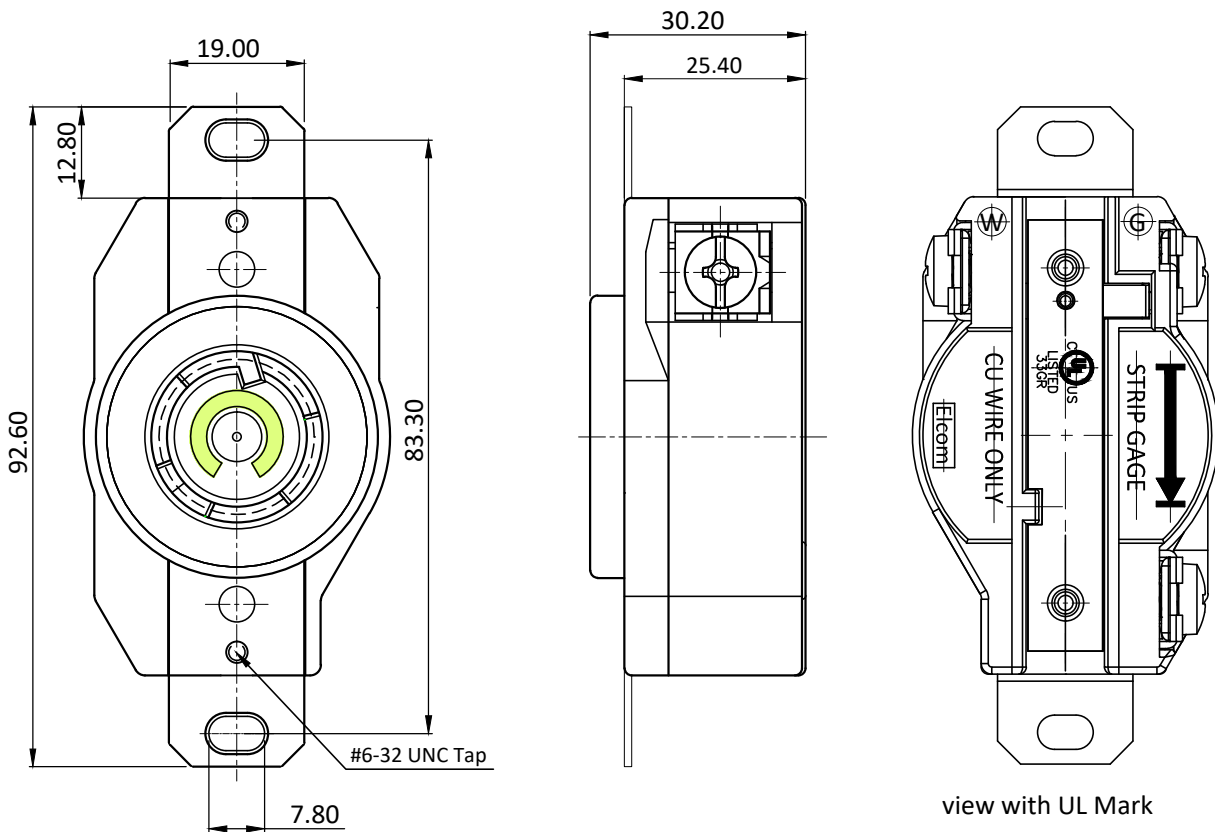
CATEGORY:- **NEMA SOCKET**

**BASIC DIMENSIONS:-**


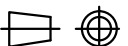
ENO-3112-R



ENO-3112-F-R



view with UL Mark

						APP	20.08.12	PBM	 <p>Plot E-4, Kagal Five Star MIDC, Kagal, Kolhapur, MH - 416236, India Elcom International Pvt. Ltd. www.elcom-in.com</p>	
						CHK				
						DRN	20.08.12	PGP		
REV	IS	WAS	DATE	SIGN	APP.	BY	DATE	SIGN		
UNSP.TOLERANCE				DIMNS. IN	WT(Gm)	SCALE:-	PROJECTION	SHEET	DRAWING NUMBER	
OVER	-	1	10	mm	Max.	NTS.		1 OF 2	P E N O 2 3 1 R	
UP TO	1	10	-	Moulding, plating details as per Bill of Material Unspecified colour is Black, GF:Glass filled.						REVISION
±	0.2	0.3	0.5							0

F:ENG-08.00

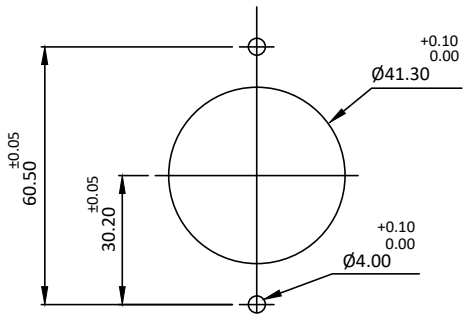
Note: Technical specifications are subject to change without prior notice

Copyright © 2019 by Elcom International Pvt.Ltd, India. All rights reserved

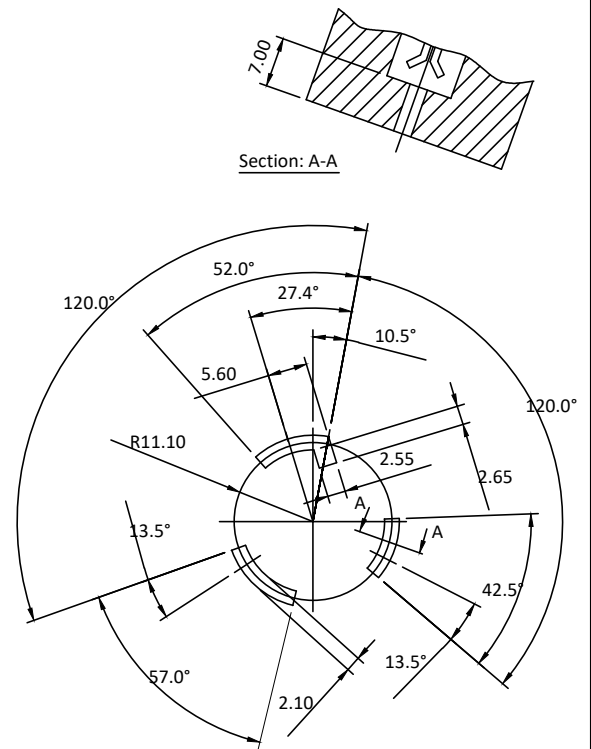
PRODUCT CODE:- **ENO-3112-R Series**

CATEGORY:- **NEMA SOCKET**

**PANEL CUTOUT:-**



**NEMA SLOT CONFIGURATION**



**ORDERING CODE:-**

Sr.No.	Twist Lock Type	Code	Approvals
1	Twist Lock, 20A 125V (L5-20R)	ENO-3112-R	
2	Twist Lock, 20A 125V (L5-20R) with Flange	ENO-3112-F-R	

**SPECIFICATION TABLE:-**

SR.NO.	PARAMETER	SPECIFICATION
1	Connector Type	Twist lock L5-20R type
2	V/A Rating	125 V, 20 A
3	Contact Resistance (Initial)	10 mohms max.
4	Insulation Resistance At 500 V DC	100 Mohms min.
5	H.V.Break Down Test (For 1-Minute)	2 KVAC
6	Mounting	Panel, Screw-type
7	Panel Thickness	--
8	Terminals	Screw-type #14 to #10 AWG
9	Permissible Temp.	(a) With/Without Load 0°C TO 65°C
		(b) For Soldering --
10	Material	(a) Body, Cover Nylon-6, GF20%, V-2
		(b) Contacts, Terminals Brass
		(c) Terminal screws Brass Tightening Torque : 12 Kg-cm min.
11	Reference Standard	UL-498, UL-486E, NEMA WD 6 CAN/CSA C22.2 No.0-M91, CSA C22.2 No.42-99
12	Approvals	File No. E258604, File No.239539

⊕ : Also available for temp. rating up to 125°C on request (For UL only)

APP	20.08.12	PBM	 Plot E-4, Kagal Five Star MIDC, Kagal, Kolhapur, MH - 416236, India Elcom International Pvt. Ltd. www.elcom-in.com					
CHK								
DRN	20.08.12	PGP						
REV	IS	WAS	DATE	SIGN	APP.	BY	DATE	SIGN
UNSP.TOLERANCE			DIMNS. IN	WT(Gm)	SCALE:-	PROJECTION	SHEET	DRAWING NUMBER
OVER	-	1	10	mm	Max.	NTS.	2 OF 2	P E N O 2 3 1 R
UP TO	1	10	-	Moulding, plating details as per Bill of Material Unspecified colour is Black, GF:Glass filled.				REVISION
±	0.2	0.3	0.5					0

F:ENG-08.00

Note: Technical specifications are subject to change without prior notice

Copyright © 2019 by Elcom International Pvt.Ltd, India. All rights reserved