

PRODUCT CODE:-

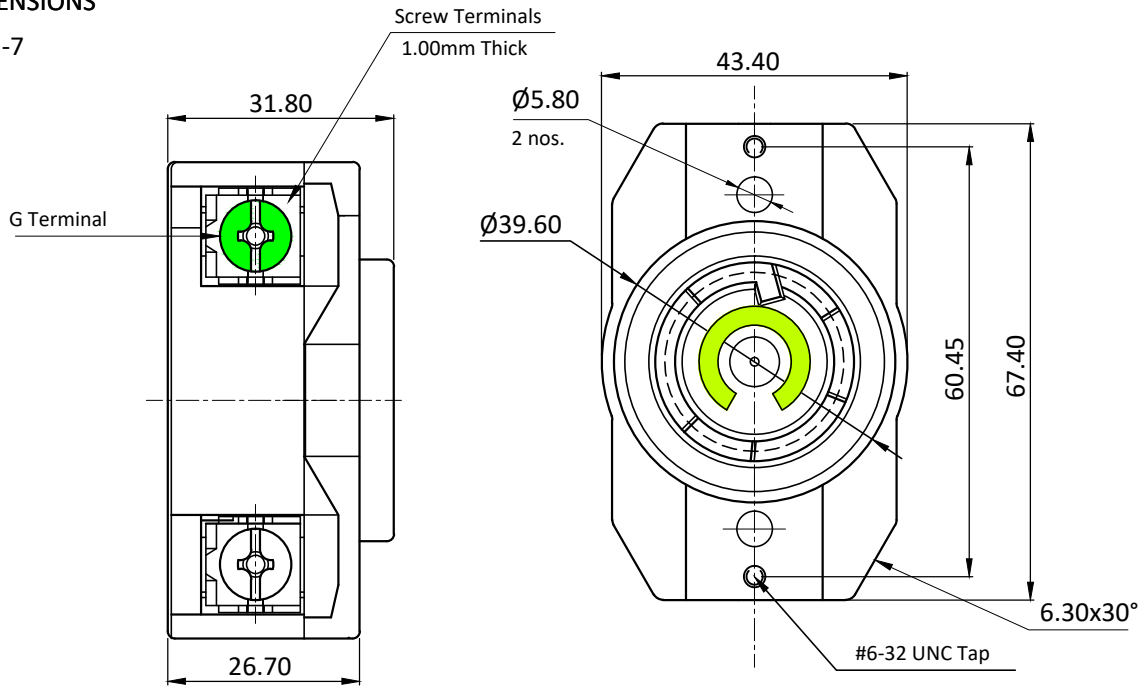
ENO-3113-7 Series

CATEGORY:-

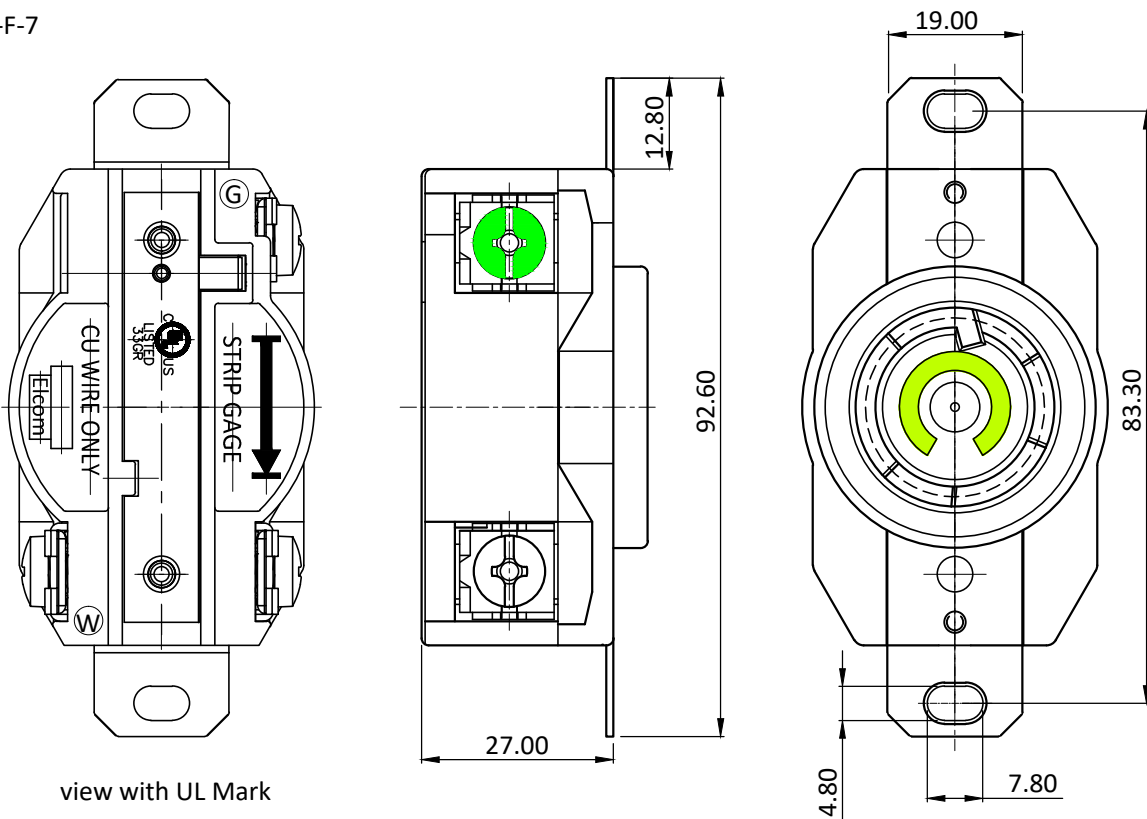
NEMA SOCKET


BASIC DIMENSIONS

ENO-3113-7



ENO-3113-F-7



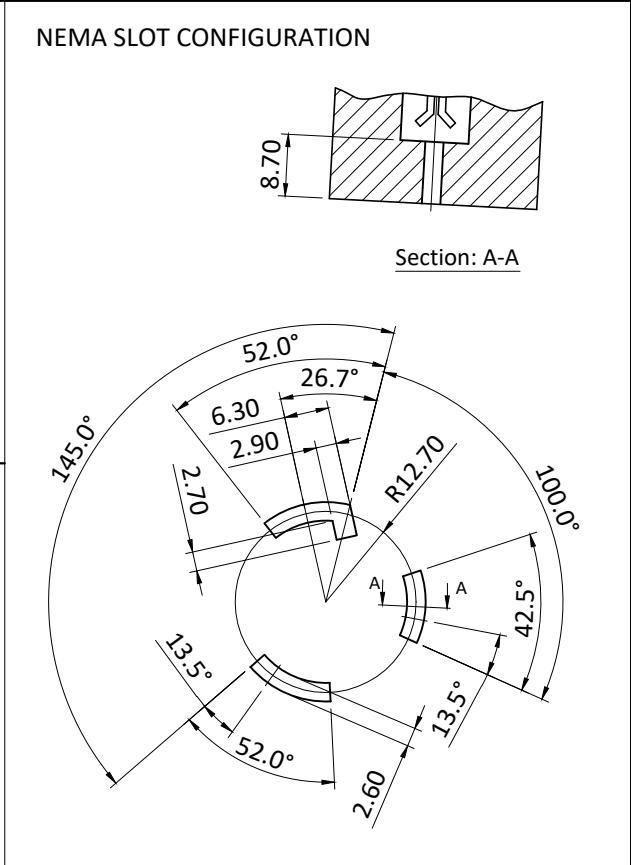
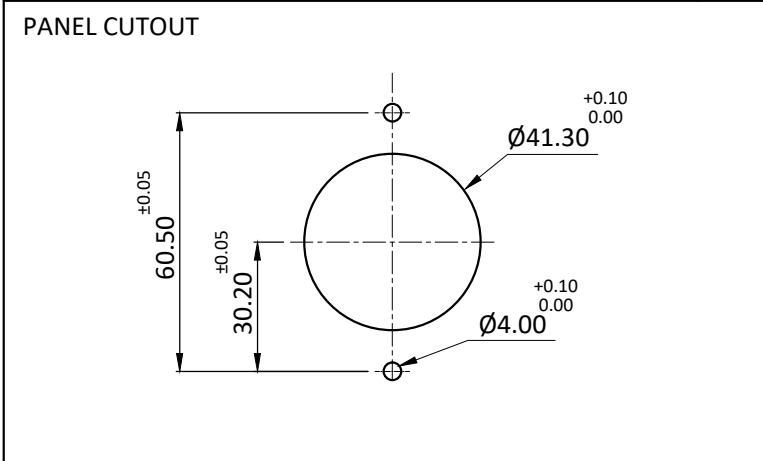
						APP	16.07.18	GJG	 <p>Plot E-4, Kagal Five Star MIDC, Kagal, Kolhapur, MH - 416236, India Elcom International Pvt. Ltd. www.elcom-in.com</p>
						CHK	16.07.18	DPP	
						DRN	16.07.18		
REV	IS	WAS	DATE	SIGN	APP.	BY	DATE	SIGN	
UNSP.TOLERANCE			DIMNS. IN	WT(Gm)	SCALE:-	PROJECTION	SHEET	DRAWING NUMBER	
OVER	-	1	10	mm	Max.	NTS.	1 OF 2	P E N O 2 3 1 3	
UP TO	1	10	-	Moulding, plating details as per Bill of Material Unspecified colour is Black, GF:Glass filled.				REVISION	
±	0.2	0.3	0.5					0	

F:ENG-08.00

Note: Technical specifications are subject to change without prior notice

Copyright © 2019 by Elcom International Pvt.Ltd, India. All rights reserved

PRODUCT CODE:-	ENO-3113-7 Series	CATEGORY:-	NEMA SOCKET
----------------	--------------------------	------------	--------------------



ORDERING CODE

Sr.No.	Twist Lock Type	Code	Approvals
1	Twist Lock, 30A 125V (L5-30R)	ENO-3113-7	
2	Twist Lock, 30A 125V (L5-30R) with Flange	ENO-3113-F-7	

SPECIFICATION TABLE

SR.NO.	PARAMETER	SPECIFICATION	
1	Connector Type	Twist lock L5-30R type	
2	V/A Rating	125 V, 30 A	
3	Contact Resistance (Initial)	10 mohms max.	
4	Insulation Resistance At 500 V DC	100 Mohms min.	
5	H.V.Break Down Test (For 1-Minute)	2 KVAC	
6	Mounting	Panel, Screw-type	
7	Panel Thickness	--	
8	Terminals	Screw-type #14 to #8 AWG	
9	Permissible Temp.	(a) With/Without Load	0°C TO 65°C
		(b) For Soldering	--
10	Material	(a) Body, Cover	Nylon-6, GF20%, V-2
		(b) Contacts, Terminals	Brass
		(c) Terminal screws	Brass Tightening Torque : 12 Kg-cm min.
11	Reference Standard	UL-498, UL-486E, NEMA WD 6 CAN/CSA C22.2 No.0-M91, CSA C22.2 No.42-99	
12	Approvals	File No. E258604, File No.239539	

⊕ : Also available for temp. rating up to 125°C on request (For UL only)

APP	16.07.18	GJG	 Plot E-4, Kagal Five Star MIDC, Kagal, Kolhapur, MH - 416236, India Elcom International Pvt. Ltd. www.elcom-in.com					
CHK	16.07.18	DPP						
DRN	16.07.18							
REV	IS	WAS	DATE	SIGN	APP.	BY	DATE	SIGN
UNSP.TOLERANCE			DIMNS. IN	WT(Gm)	SCALE:-	PROJECTION	SHEET	DRAWING NUMBER
OVER	-	1	10	mm	Max.	NTS.	2 OF 2	P E N O 2 3 1 3
UP TO	1	10	-	Moulding, plating details as per Bill of Material				REVISION
±	0.2	0.3	0.5	Unspecified colour is Black, GF:Glass filled.				0