

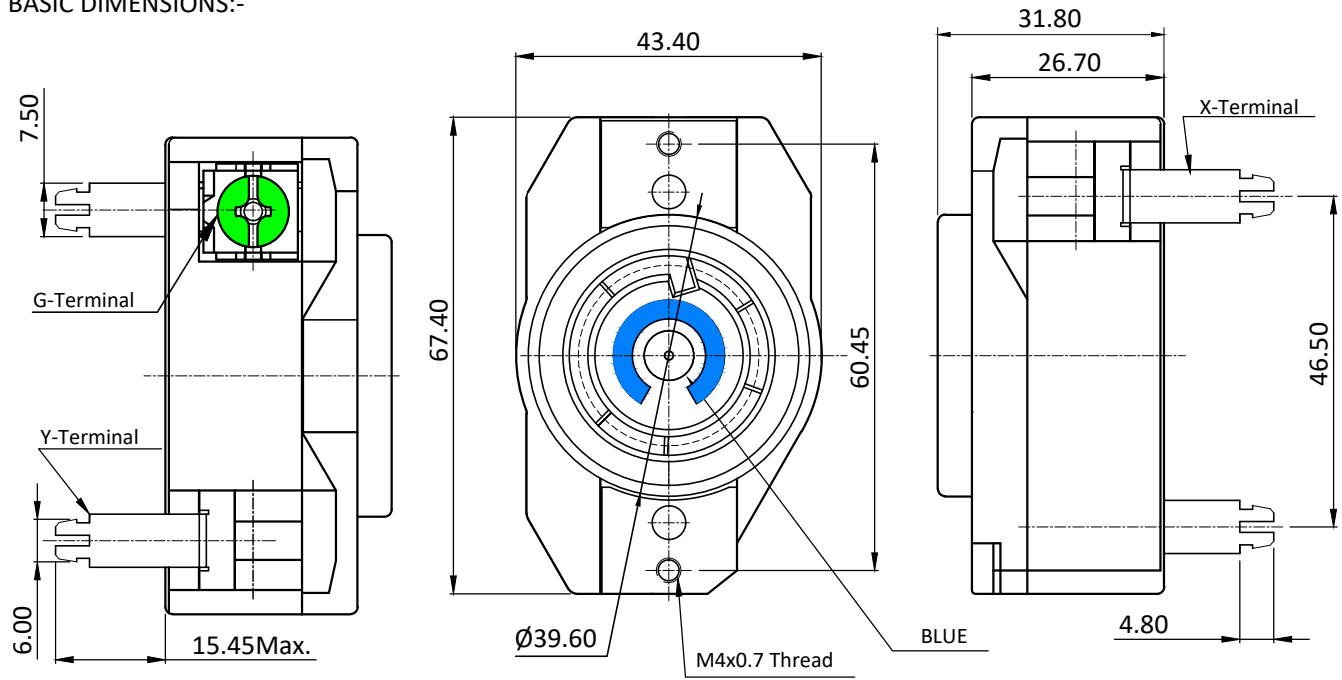
PRODUCT CODE:-

ENO-3123-P-X

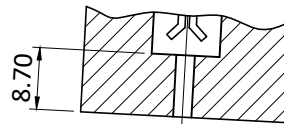
CATEGORY:-

**NEMA SOCKET
(PCB Mounted)**

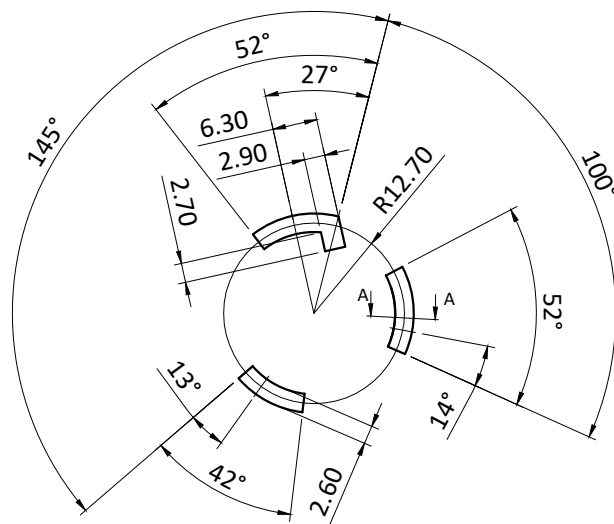
BASIC DIMENSIONS:-




NEMA SLOT CONFIGURATION



Section: A-A



						APP	28.12.12	PBM	 <p>Plot E-4, Kagal Five Star MIDC, Kagal, Kolhapur, MH - 416236, India Elcom International Pvt. Ltd. www.elcom-in.com</p>
						CHK	28.12.12	PGP	
						DRN	28.12.12	Vinayak	
REV	IS	WAS	DATE	SIGN	APP.	BY	DATE	SIGN	
UNSP.TOLERANCE			DIMNS. IN	WT(Gm)	SCALE:-	PROJECTION	SHEET	DRAWING NUMBER	
OVER	-	1	10	mm	Max.	NTS.	1 OF 2	P E N O 2 3 1 2 3 P	
UP TO	1	10	-	Moulding, plating details as per Bill of Material Unspecified colour is Black, GF:Glass filled.			REVISION		
±	0.2	0.3	0.5				0		

F:ENG-08.00

Note: Technical specifications are subject to change without prior notice

Copyright © 2019 by Elcom International Pvt.Ltd, India. All rights reserved

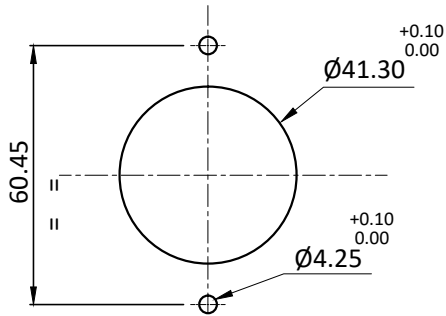
PRODUCT CODE:-

ENO-3123-P-X

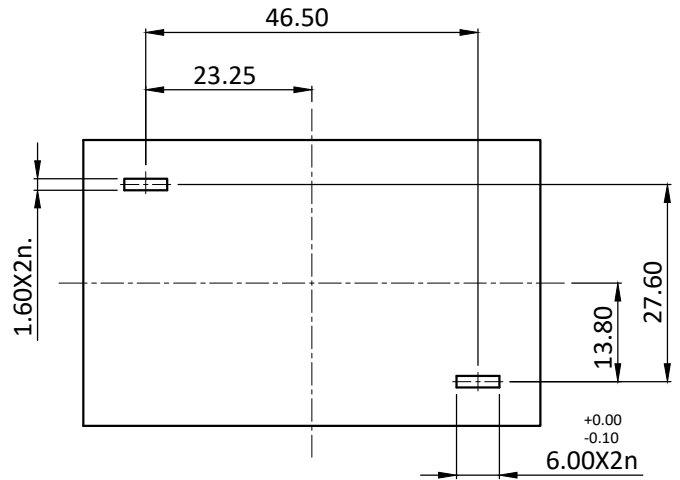
CATEGORY:-

**NEMA SOCKET
(PCB Mounted)**

PANEL CUTOUT:-



PCB Holes :



SPECIFICATION TABLE:-

SR.NO.	PARAMETER		SPECIFICATION
1	Connector Type		Twist lock L6-30R PCB Mounted type
2	V/A Rating		250 V, 30 A
3	Contact Resistance (Initial)		10 mohms max.
4	Insulation Resistance At 500 V DC		100 Mohms min.
5	H.V.Break Down Test (For 1-Minute)		2 KVAC
6	Mounting		Panel, Screw & PCB Solderable type
7	Panel Thickness		--
8	Terminals		Screw-type #14 to #8 AWG
9	Permissible Temp.	(a) With/Without Load	0°C TO 65°C
		(b) For Soldering	--
10	Material	(a) Body, Cover	Nylon-6, GF20%, V-2
		(b) Contacts, Terminals	Brass , Tin Plated .
		(c) Terminal screws	Brass Tightening Torque : 12 Kg-cm min.
11	Reference Standard		UL-498, UL-486E, NEMA WD 6
12	Approvals		US , File No. E258604,

: Also available for temp. rating up to 125°C on request (For UL only)

						APP	28.12.12	PBM	 Plot E-4, Kagal Five Star MIDC, Kagal, Kolhapur, MH - 416236, India Elcom International Pvt. Ltd. www.elcom-in.com	
						CHK	28.12.12	PGP		
						DRN	28.12.12	Vinayak		
REV	IS	WAS	DATE	SIGN	APP.	BY	DATE	SIGN		
UNSP.TOLERANCE			DIMNS. IN mm	WT(Gm) Max.	SCALE:- NTS.	PROJECTION	SHEET	DRAWING NUMBER		
OVER	-	1 10						Moulding, plating details as per Bill of Material Unspecified colour is Black, GF:Glass filled.	2 OF 2	P E N O 2 3 1 2 3 P
UP TO	±	1 0.2 10 0.3 0.5	0							

F:ENG-08.00

Note: Technical specifications are subject to change without prior notice

Copyright © 2019 by Elcom International Pvt.Ltd, India. All rights reserved