

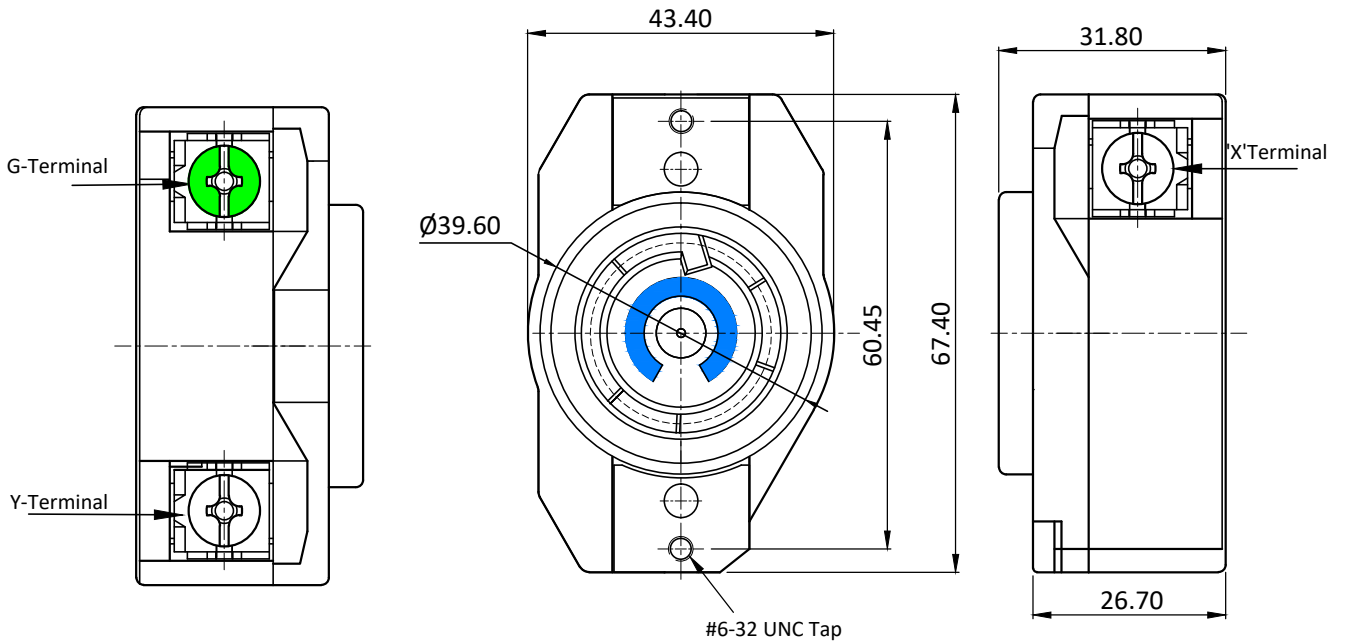
PRODUCT CODE:-

ENO-3123-X

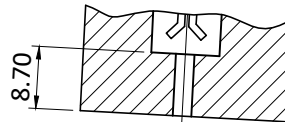
CATEGORY:-

NEMA SOCKETS

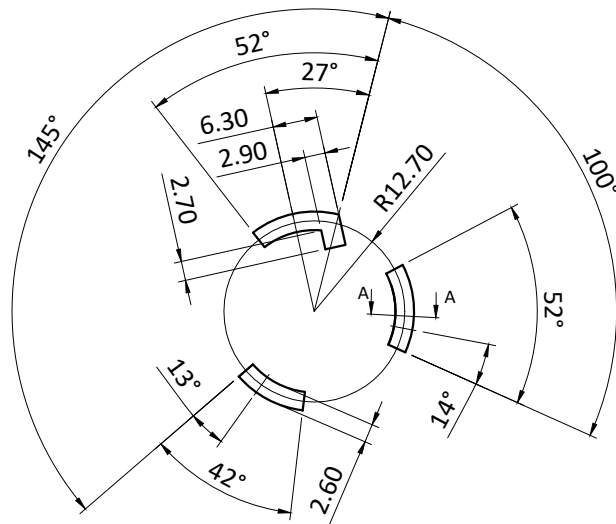
BASIC DIMENSIONS:-




NEMA SLOT CONFIGURATION



Section: A-A



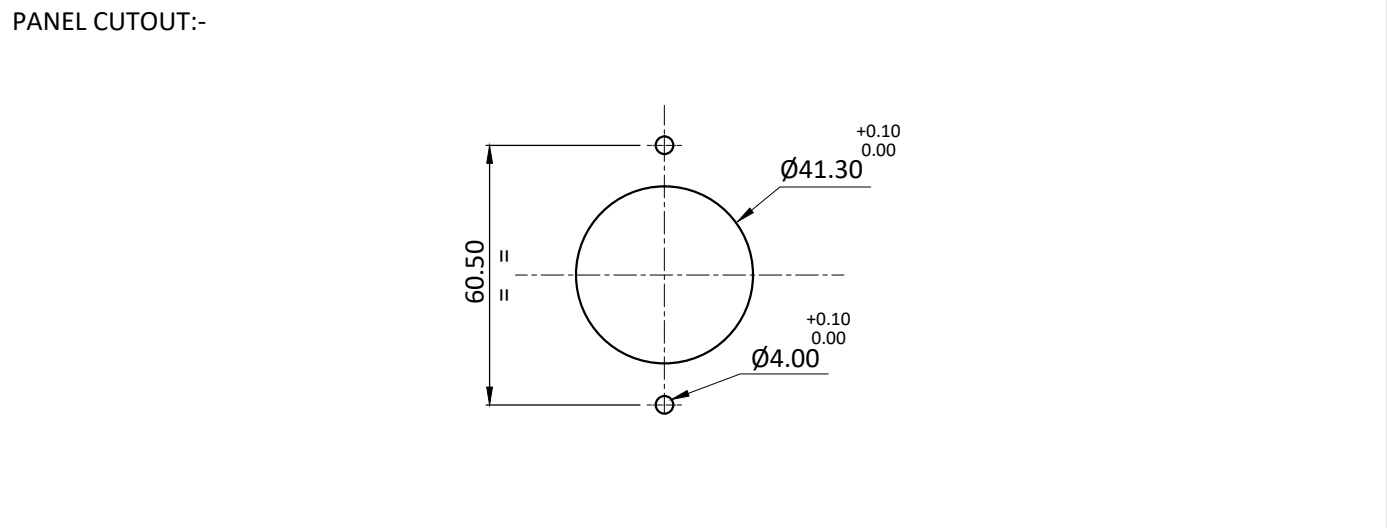
						APP	29.01.08	PBM	 Plot E-4, Kagal Five Star MIDC, Kagal, Kolhapur, MH - 416236, India Elcom International Pvt. Ltd. www.elcom-in.com
						CHK			
						DRN	29.01.08	UAJ	
REV	IS	WAS	DATE	SIGN	APP.	BY	DATE	SIGN	
UNSP.TOLERANCE			DIMNS. IN	WT(Gm)	SCALE:-	PROJECTION	SHEET	DRAWING NUMBER	
OVER	-	1	10	mm	Max.	NTS.	1 OF 2	P E N O 2 3 1 2 3 X	
UP TO	1	10	-	Moulding, plating details as per Bill of Material				REVISION	
±	0.2	0.3	0.5	Unspecified colour is Black, GF:Glass filled.				0	

F:ENG-08.00

Note: Technical specifications are subject to change without prior notice

Copyright © 2019 by Elcom International Pvt.Ltd, India. All rights reserved

PRODUCT CODE:-	ENO-3123-X	CATEGORY:-	NEMA SOCKETS
----------------	-------------------	------------	---------------------



SPECIFICATION TABLE:-

SR.NO.	PARAMETER		SPECIFICATION
1	Connector Type		Twist lock L6-30R type
2	V/A Rating		250 V, 30 A
3	Contact Resistance (Initial)		10 mohms max.
4	Insulation Resistance At 500 V DC		100 Mohms min.
5	H.V.Break Down Test (For 1-Minute)		2 KVAC
6	Mounting		Panel, Screw-type
7	Panel Thickness		--
8	Terminals		Screw-type #14 to #8 AWG
9	Permissible Temp.	(a) With/Without Load	0°C TO 65°C
		(b) For Soldering	--
10	Material	(a) Body, Cover	Nylon-6, GF20%, V-2
		(b) Contacts, Terminals	Brass
		(c) Terminal screws	Brass Tightening Torque : 12 Kg-cm min.
11	Reference Standard		UL-498, UL-486E, NEMA WD 6 CAN/CSA C22.2 No.0-M91, CSA C22.2 No.42-99
12	Approvals		File No. E258604 (UL Recognised(C.US)) File No.239539

: Also available for temp. rating up to 125°C on request (For UL only)

						APP	29.01.08	PBM	Plot E-4, Kagal Five Star MIDC, Kagal, Kolhapur, MH - 416236, India Elcom International Pvt. Ltd. www.elcom-in.com
						CHK			
						DRN	29.01.08	UAJ	
REV	IS	WAS	DATE	SIGN	APP.	BY	DATE	SIGN	
UNSP.TOLERANCE			DIMNS. IN	WT(Gm)	SCALE:-	PROJECTION	SHEET	DRAWING NUMBER	
OVER	-	1	10	mm	Max.	NTS.	2 OF 2	P E N O 2 3 1 2 3 X	
UP TO	1	10	-	Moulding, plating details as per Bill of Material Unspecified colour is Black, GF:Glass filled.					REVISION
±	0.2	0.3	0.5						0

F:ENG-08.00

Note: Technical specifications are subject to change without prior notice

Copyright © 2019 by Elcom International Pvt.Ltd, India. All rights reserved