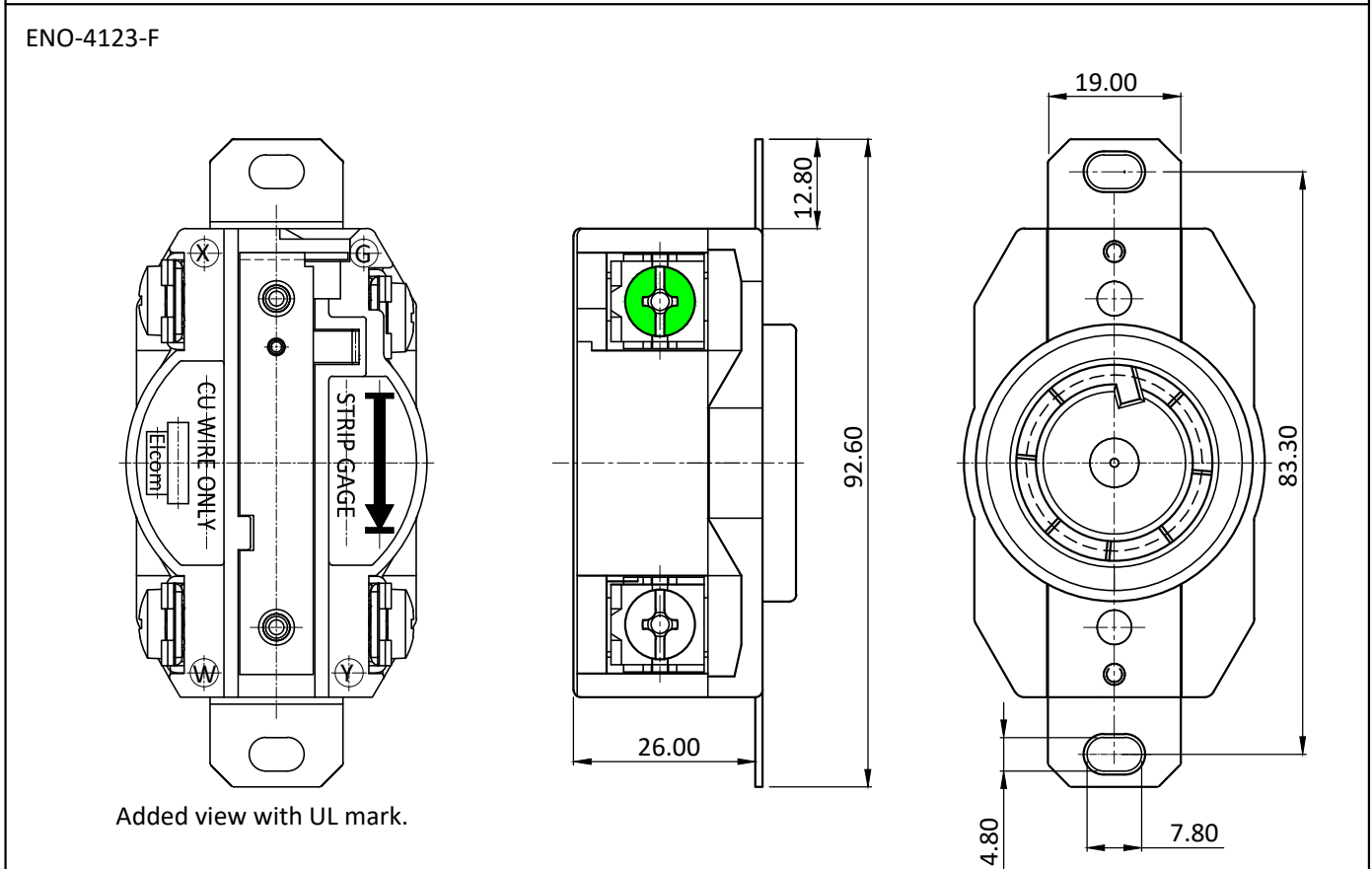
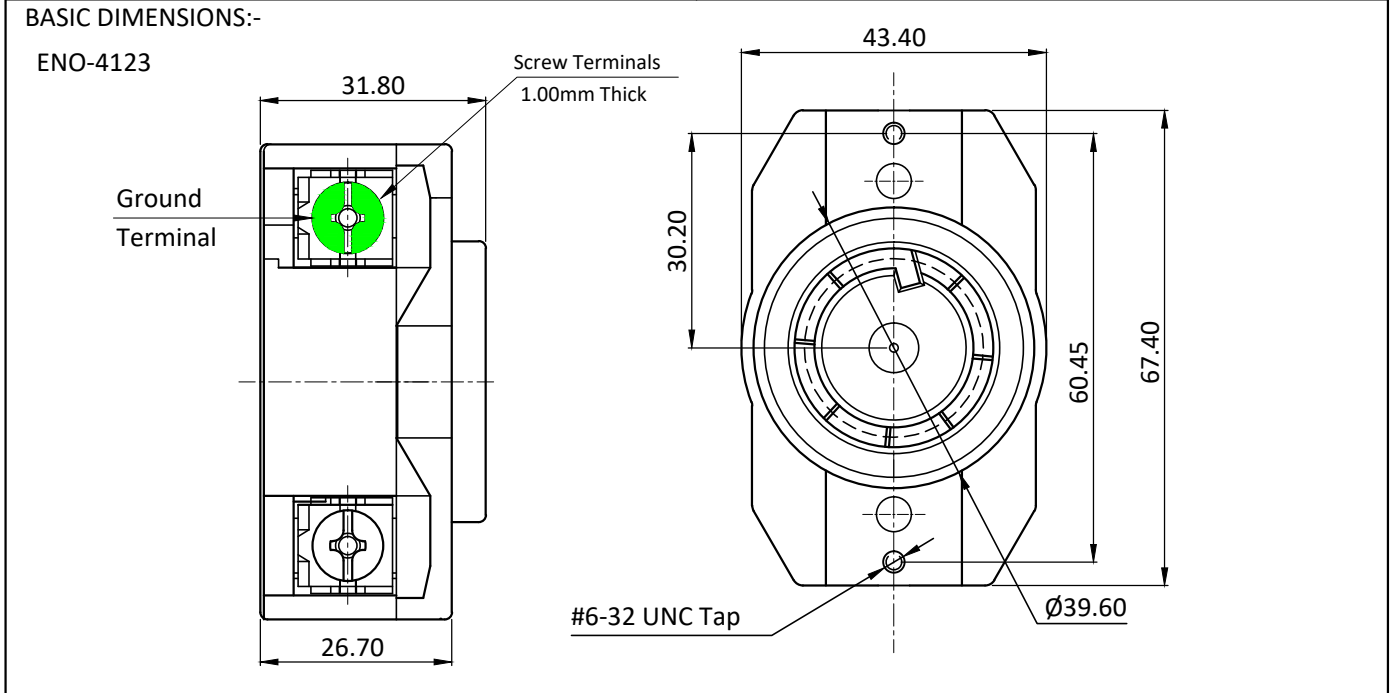



PRODUCT CODE:-	ENO-4123 Series	CATEGORY:-	NEMA SOCKETS
----------------	------------------------	------------	---------------------



APP	05.05.07	SBP	 Plot E-4, Kagal Five Star MIDC, Kagal, Kolhapur, MH - 416236, India Elcom International Pvt. Ltd. www.elcom-in.com					
CHK	05.05.07	KAK						
DRN	05.05.07	TRN						
REV	IS	WAS	DATE	SIGN	APP. BY	DATE	SIGN	
UNSP.TOLERANCE			DIMNS. IN	WT(Gm)	SCALE:-	PROJECTION	SHEET	DRAWING NUMBER
OVER	-	1	10	mm	Max.	NTS.	1 OF 2	P E N O 2 4 1 3
UP TO	1	10	-	Moulding, plating details as per Bill of Material				REVISION
±	0.2	0.3	0.5	Unspecified colour is Black, GF:Glass filled.				0

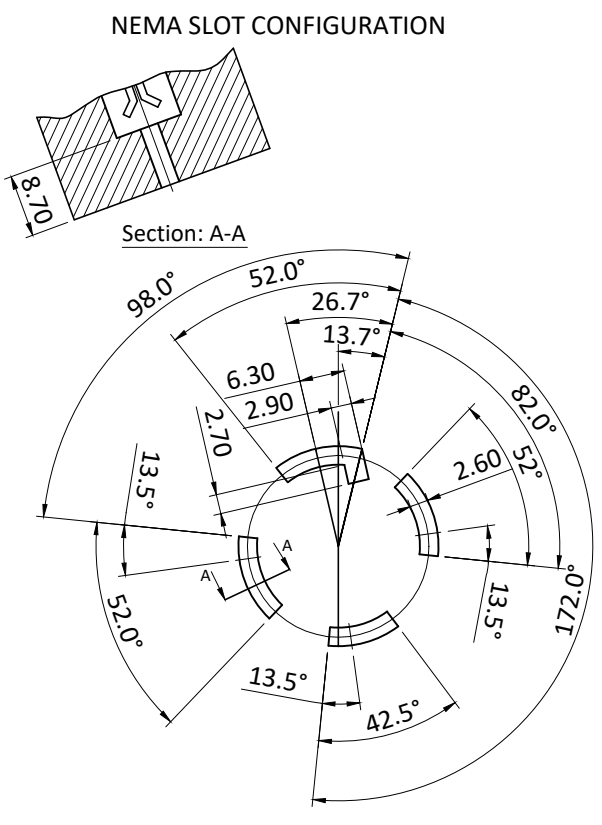
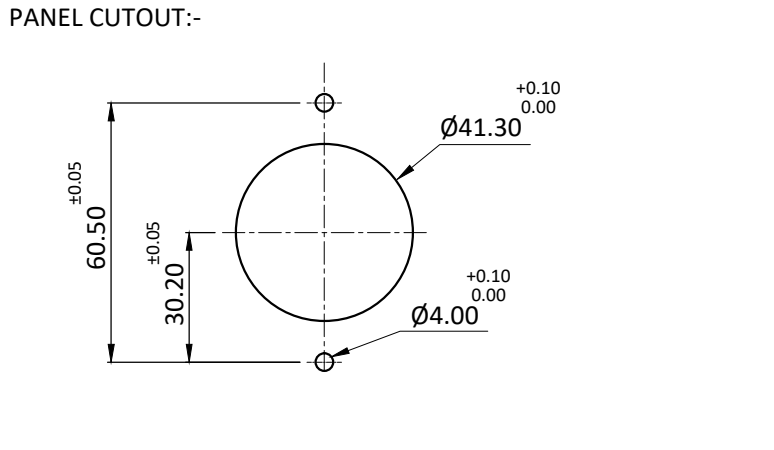
F:ENG-08.00

Note: Technical specifications are subject to change without prior notice

Copyright © 2019 by Elcom International Pvt.Ltd, India. All rights reserved

PRODUCT CODE:- **ENO-4123 Series**

CATEGORY:- **NEMA SOCKETS**



ORDERING CODE:-

Sr.No.	Twist Lock Type	Code	Approvals
1	Twist Lock, 30A 125/250V (L14-30R)	ENO-4123	
2	Twist Lock, 30A 125/250V (L14-30R) with Flange	ENO-4123-F	

SPECIFICATION TABLE:-

SR.NO.	PARAMETER	SPECIFICATION
1	Connector Type	Twist lock L14-30R type
2	V/A Rating	125/250 V, 30 A
3	Contact Resistance (Initial)	10 mohms max.
4	Insulation Resistance At 500 V DC	100 Mohms min.
5	H.V.Break Down Test (For 1-Minute)	2 KVAC
6	Mounting	Panel, Screw-type
7	Panel Thickness	--
8	Terminals	Screw-type #14 to #8 AWG
9	Permissible Temp.	(a) With/Without Load
		(b) For Soldering --
10	Material	(a) Body, Cover Nylon-6, GF20%, V-2
		(b) Contacts, Terminals Brass
		(c) Terminal screws Brass Tightening Torque : 12 Kg-cm min.
11	Reference Standard	UL-498, UL-486E, NEMA WD 6 CAN/CSA C22.2 No.0-M91, CSA C22.2 No.42-99
12	Approvals	File No. E258604 File No.239539

⊕: Also available for temp. rating up to 125°C on request (For UL only)

APP	05.05.07	SBP	Plot E-4, Kagal Five Star MIDC, Kagal, Kolhapur, MH - 416236, India Elcom International Pvt. Ltd. www.elcom-in.com						
CHK	05.05.07	KAK							
DRN	05.05.07	TRN							
REV	IS	WAS	DATE	SIGN	APP.	BY	DATE	SIGN	
UNSP.TOLERANCE		DIMNS. IN	WT(Gm)	SCALE:-	PROJECTION	SHEET	DRAWING NUMBER		
OVER	- 1 10	mm	Max.	NTS.		2 OF 2	P E N O 2 4 1 3	REVISION	0
UP TO	± 0.2 0.3 0.5	Moulding, plating details as per Bill of Material Unspecified colour is Black, GF:Glass filled.							

F:ENG-08.00

Note: Technical specifications are subject to change without prior notice

Copyright © 2019 by Elcom International Pvt.Ltd, India. All rights reserved