



Power Distribution Unit

Product Code/Part Code: EIS-T624D-EE310VX

Specification Sheet:

Input

• Voltage:	3 Φ , 440VAC
• Frequency:	50 Hz / 60Hz (As per supply input)
• Power In Socket Type:	3 Φ , 32 Amps, IEC 60309(3P+N+E), 440VAC
• Cord Length:	3 meters
• Input Current:	32 Amps

Output

• Voltage:	230 VAC
• Frequency:	50Hz / 60Hz (As per supply input)
• Power out Socket Type:	IEC-60320 C13 (21 Nos.), IEC-60320 C19 (03 Nos.)
• Current Operating range:	32 Amps per phase

Features

- Individual Current Monitoring: Monitors the Individual / Total current flowing through the device.
- Individual Switching: User can control outlet level current, receptacle level control.
- Monitors and Tracks Individual power consumption.
- Conforms to CLASS I measurement accuracy.
- Socket level Monitoring and Metering of electric parameters: Voltage (V), Current (I), Energy (kWH) Power (kVA, kVAR), Power factor (cos Φ)
- Current Threshold settings with warning LED on front panel and Buzzer alarm.
- TFT Color Display.
- Networking: 10/100 Base Ethernet Port.
- Provision to connect Temperature - Humidity Sensor.
- Hot Swappable Controller.
- Total No. of outlets: 24 - IEC-60320 C13 (21 Nos.), IEC-60320 C19 (03 Nos.)
- Branch Circuit Protection: Two (2) X 16 A Hydraulic Magnetic Circuit Breaker Per Phase



User Interface:

- Integrates with any DCIM System through SNMP

Interface and Protocol Support

- HTTP
- SNMP V1
- MODBUS TCP/IP
- MODBUS RTU(RS-485)
- FTP
- DHCP
- IPV4 Support
- Telnet

Mechanical

- Dimensions (L x W x H):1650mm X 60mm X 85mm
- Weight: Approx. 6.50 Kg
- Mounting:1294.50mm
- Display / control panel: TFT Color Display
- Color: RAL 9005
- Finish: Fine texture

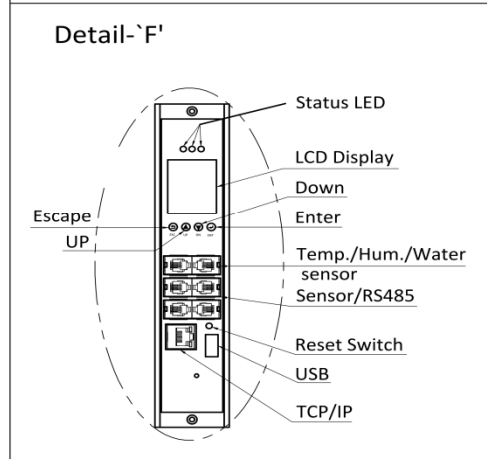
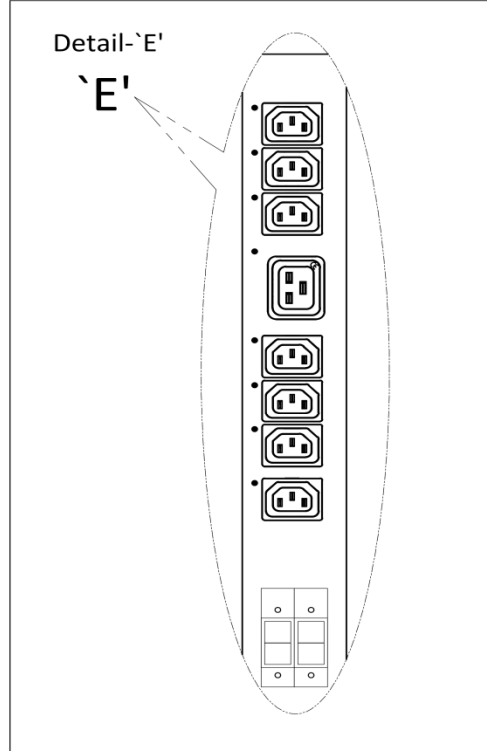
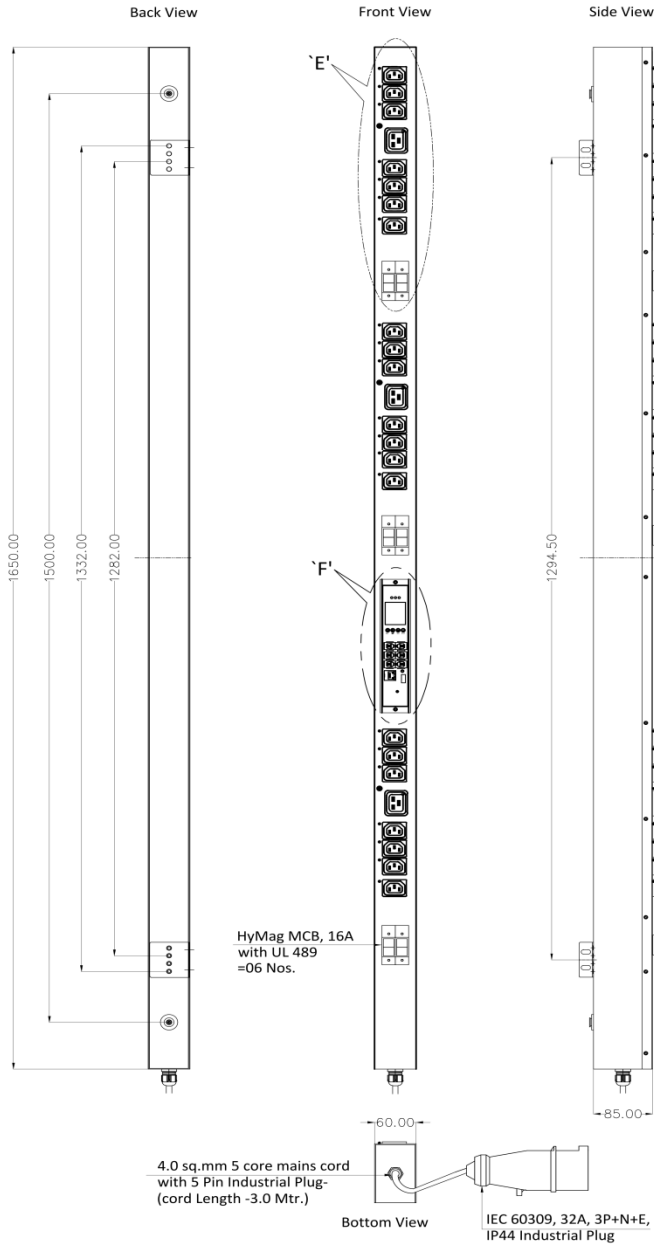
Environmental Requirements

- Operating temperature: 0 – 45°C (Extended up to 65°C)
- Humidity: 0 – 95 % RH non-condensing

Product Drawing

PRODUCT CODE:-	EIS-T624D-EE310VX	CATEGORY:-	SMART RACK-PDU
----------------	--------------------------	------------	-----------------------

BASIC DIMENSIONS



							APP	25.07.19	MRM	
							CHK	25.07.19	SBP	
							DRN	25.07.19	RNV	
REV	IS	WAS	DATE	SIGN	APP.	BY	DATE	SIGN		
UNSP.TOLERANCE		DIMNS. IN	WT(Gm)	SCALE:-	PROJECTION		SHEET			
OVER	-	1	10	mm	Max.	NTS.	1 OF 1		DRAWING NUMBER	
UP TO	1	10	-	Moulding, plating details as per Bill of Material						REVISION
±	0.2	0.3	0.5	Unspecified colour is Black, GF:Glass filled.						0



Plot E-4, Kagal Five Star MIDC, Kagal, Kolhapur, MH - 416236, India
Elcom International Pvt. Ltd.
www.elcom-in.com

F:ENG-08.00

Note: Technical specifications are subject to change without prior notice

Copyright © 2019 by Elcom International Pvt.Ltd, India. All rights reserved