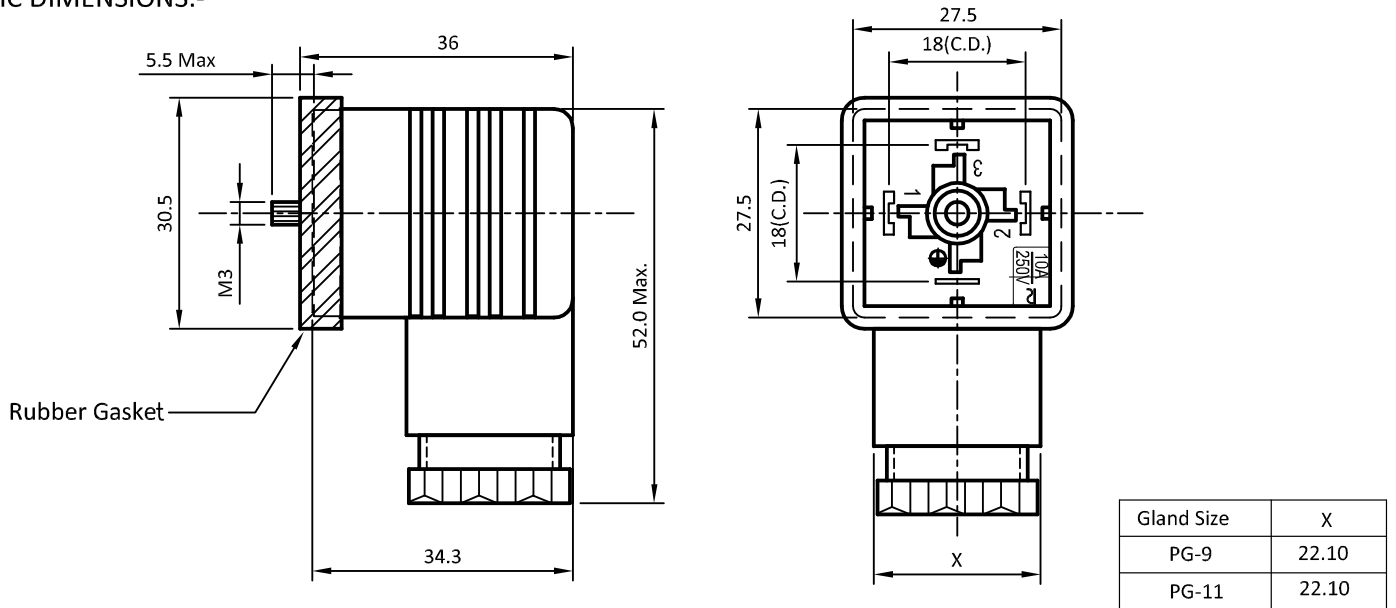


PRODUCT CODE:- HD-209, 211 IN-RVD
(Non Approved Series)

CATEGORY:- DIN SOCKETS

BASIC DIMENSIONS:-




SPECIFICATION TABLE:-

| SR.NO. | PARAMETER | | SPECIFICATION | | | |
|--------|-------------------------------------|---------------------------|---|----|-----|-----|
| 1 | Connector Type | | Solenoid Connector Style A, Square Type | | | |
| 2 | V/A Rating (Non-illuminated) | | 10 A 250 VAC | | | |
| 3 | Voltage Rating (illuminated) | | VAC | 24 | 110 | 230 |
| 4 | Contact Resistance (Initial) | | 15 m ohms max. | | | |
| 5 | Insulation Resistance At 100 V DC | | 100 M ohms min. | | | |
| 6 | H.V.Break Down Test (For 1-Minute) | | 2 KV AC (Applicable only For Terminal With Outer Body) | | | |
| 7 | Connector Mounting | | Screw Mounting | | | |
| 8 | Terminals | | Screw Type | | | |
| 9 | Permissible Temp. With/Without Load | | 0°C to 90°C | | | |
| 10 | Material. | (a) Body | Non-illuminated - Nylon-6, GF (Black/Grey) illuminated - Polycarbonate (Translucent) | | | |
| | | (b) Rubber Gasket | Nitrile | | | |
| | | (c) Contacts | Brass, Tin Plated | | | |
| | | (d) Terminal (Square) Nut | Brass, Nickel Plated | | | |
| | | (e) Terminal Screw | M.S., Zinc Plated | | | |
| | | (f) Mounting Screw | M.S, Zinc Plating With Yellow passivation | | | |
| 11 | Reference Standard | | DIN-43650, ISO 4400, EN-175,301-803 | | | |

ORDERING CODE:-

| Sr. No. | Gland Size | Gland Rubber Size | Connection Type | Code | | |
|---------|------------|-------------------|-----------------|-----------------|--------------------|--------------------------|
| | | | | Non-illuminated | illuminated | |
| 1 | a | PG-9 | I.D Ø10.00 | 2P + E | HD-209/S-IN-RVD-BK | HD-209/SL(24VAC)-IN-RVD |
| | | | | | | HD-209/SL(230VAC)-IN-RVD |
| 2 | a | PG-11 | I.D Ø9.00 | 2P + E | HD-211/S-IN-RVD-BK | HD-211/SL(230VAC)-IN-RVD |

All Range is with Bridge Rectifier.

| | | | | | | | | | | |
|----------------|-----|-----|-----------|---|---------|-----|------------|--------|---|----------|
| | | | | | | APP | 23.02.11 | PBM |  <p>Plot E-4, Kagal Five Star MIDC, Kagal, Kolhapur, MH - 416236, India Elcom International Pvt. Ltd. www.elcom-in.com</p> | |
| | | | | | | CHK | 23.02.11 | YSB | | |
| | | | | | | DRN | 23.02.11 | PGP | | |
| REV | IS | WAS | DATE | SIGN | APP. | BY | DATE | SIGN | | |
| UNSP.TOLERANCE | | | DIMNS. IN | WT(Gm) | SCALE:- | | PROJECTION | SHEET | DRAWING NUMBER | |
| OVER | - | 1 | 10 | mm | Max. | | NTS. | 1 OF 1 | P H D O I N R D | |
| UP TO | 1 | 10 | - | Moulding, plating details as per Bill of Material | | | | | | REVISION |
| ± | 0.2 | 0.3 | 0.5 | Unspecified colour is Black, GF:Glass filled. | | | | | | 0 |

F:ENG-08.00

Note: Technical specifications are subject to change without prior notice

Copyright © 2019 by Elcom International Pvt.Ltd, India. All rights reserved