

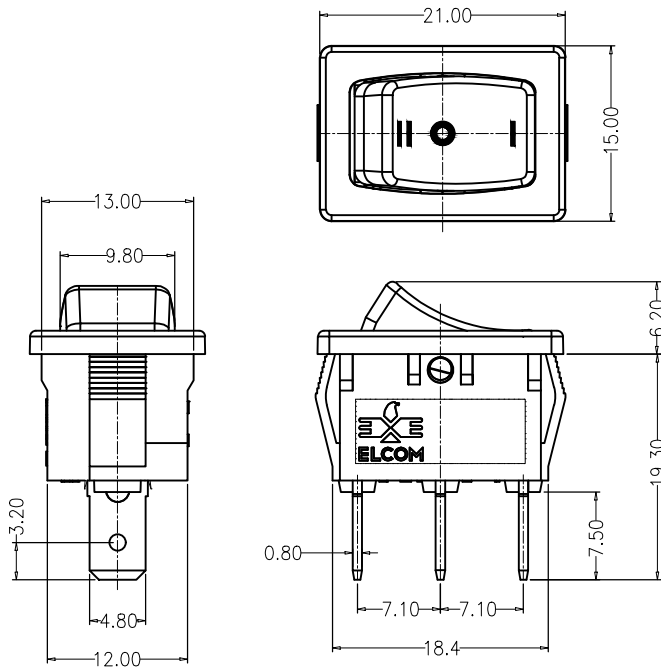
PRODUCT CODE:-

RSF-12-CF, Series

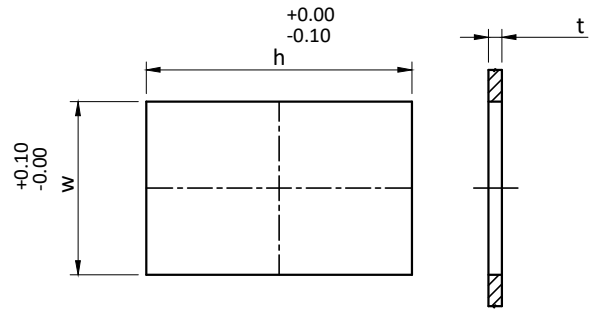
CATEGORY:-

Rocker Switch

Basic Dimension



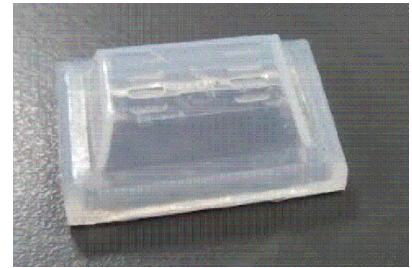
Panel cutout



t	h	w
0.75-2.00	19.40	12.90
2.00-3.00	19.80	12.90

Note-Pictures are for reference Purpose only, Original Product May Differ

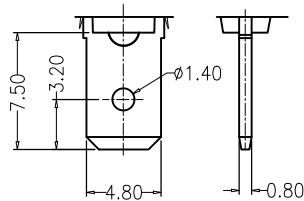
Code: RS-DC-01



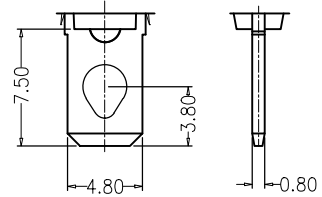
ON-OFF-ON

Dust Cap On-Request

T4C


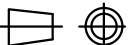


T4B



Standard

On-Request

APP	09.11.19	GJG	 Plot E-4, Kagal Five Star MIDC, Kagal, Kolhapur, MH - 416236, India Elcom International Pvt. Ltd. www.elcom-in.com							
CHK										
DRN	09.11.19	MDT								
REV	IS	WAS	DATE	SIGN	APP.	BY	DATE	SIGN		
UNSP.TOLERANCE			DIMNS. IN	WT(Gm)	SCALE:-		PROJECTION	SHEET	DRAWING NUMBER	
OVER	-	1	10	mm	Max.	NTS.		1 OF 2	REVISION	
UP TO	1	10	-	Moulding, plating details as per Bill of Material Unspecified colour is Black, GF:Glass filled.					0	
±	0.2	0.3	0.5							

F:ENG-08.00

Note: Technical specifications are subject to change without prior notice

Copyright © 2022 by Elcom International Pvt.Ltd, India. All rights reserved

PRODUCT CODE:- **RSF-12-CF, Series**

CATEGORY:- **Rocker Switch**

Specification Table

SR.NO	PARAMETER		SPECIFICATION
1	Type		Rocker switch, SPDT (Center off)
2	Panel Thickness		Refer table - Panel cut out
3	V/A Rating		4A, 6A, 250Vac.
4	Contact Resistance (Initial)		10 m Ohms. Max.
5	Insulation Resistance at 500 V DC		100 M Ohms Min.
6	H.V. Break Down Test (For 1-Minute)		1.5 KV AC
7	Mounting		Panel, Snap-in
8	Terminals		Soldering, Fast on-4.80x0.80
9	Electrical Life		10,000 Cycles Min.
10	Permissible Temp.	(a) With/Without Load	-25°C TO +75°C
		(b) For Soldering	270°C for 5 Sec Max.
11	Material	(a) Body	Nylon6, 20%GF
		(b) Cap	Nylon6, 20%GF
		(c) Terminals	Copper Alloy, Silver Plating.
		(d) Contacts	Silver/Copper Alloy, Silver plating
12	Reference Standard		IEC-1058-1
13	Approvals		(On-Request)

Ordering Code

Series	Type	Current Rating	Function	Knob Printing	Knob Color Code	Terminal	Approval
RSF	12-CF Series	04 4A 06 6A	No Suffix ON-OFF-ON	ON-OFF-ON Printing P7	03 Black 04 Red	No.Suffix 4.8X0.8, Fast on T4B 4.8X0.8, Drop Hole	No Suffix Approval V

Ordering Code

Dust Cap code: RS-DC-01

						APP	09.11.19	GJG	<p>Plot E-4, Kagal Five Star MIDC, Kagal, Kolhapur, MH - 416236, India Elcom International Pvt. Ltd. www.elcom-in.com</p>
						CHK			
						DRN	09.11.19	MDT	
REV	IS	WAS	DATE	SIGN	APP.	BY	DATE	SIGN	
UNSP.TOLERANCE				DIMNS. IN	WT(Gm)	SCALE:-	PROJECTION	SHEET	DRAWING NUMBER
OVER	-	1	10	mm	Max.	NTS.		2 OF 2	
UP TO	1	10	-	Moulding, plating details as per Bill of Material Unspecified colour is Black, GF: Glass filled.					REVISION
±	0.2	0.3	0.5						0

F:ENG-08.00

Note: Technical specifications are subject to change without prior notice

Copyright © 2022 by Elcom International Pvt.Ltd, India. All rights reserved