

# Datasheet | EC44

## EP-355WON Series



### General Purpose AC EMI Filter



\*Image shown is for illustrative purpose only

### Approvals /Conformance



### Technical Specifications

Operating voltage	440VAC (P-P)
Current rating	500A - 650A
Frequency	50/60Hz
Voltage drop	1 Volt max.
High potential test voltage	P -> E 1500VAC P -> N 2121VDC (applicable for general purpose filter)
Insulation resistance	≥ 300 MΩ @ 500VDC (P→E)
Operating temperature	40°C /-25°C +85°C

### Features and benefits

- | All filters provide high attenuation performance.
- | All filters compliance to EN60939-3:2015 & EN60939-2:2005 standards
- | Single stage.
- | High reliable
- | Chassis mountable filter in fabricated metal can.
- | CRCA metal can with nickel plating provides good aesthetic and corrosion protection.
- | General purpose filter with low leakage current for safety critical application.

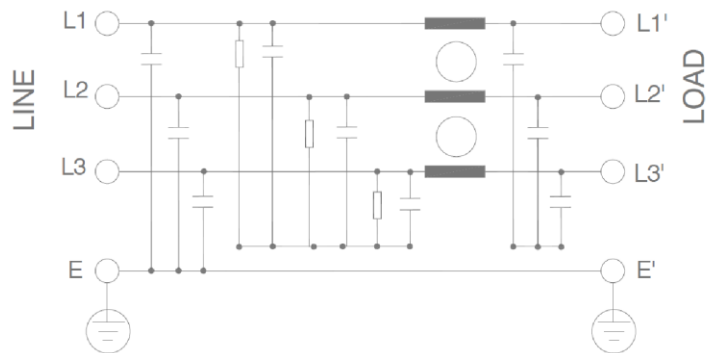
### Application

- | Electrical and electronic equipment
- | Test & measurement equipment
- | 3 Phase motor drive
- | Inverters and converters
- | Industrial automation application UPS, SMPS
- | Laser cutting tools
- | Packaging and drilling machine
- | Printing machine

### Attenuation type

Single Stage **Standard**

### Electrical schematic for filter:

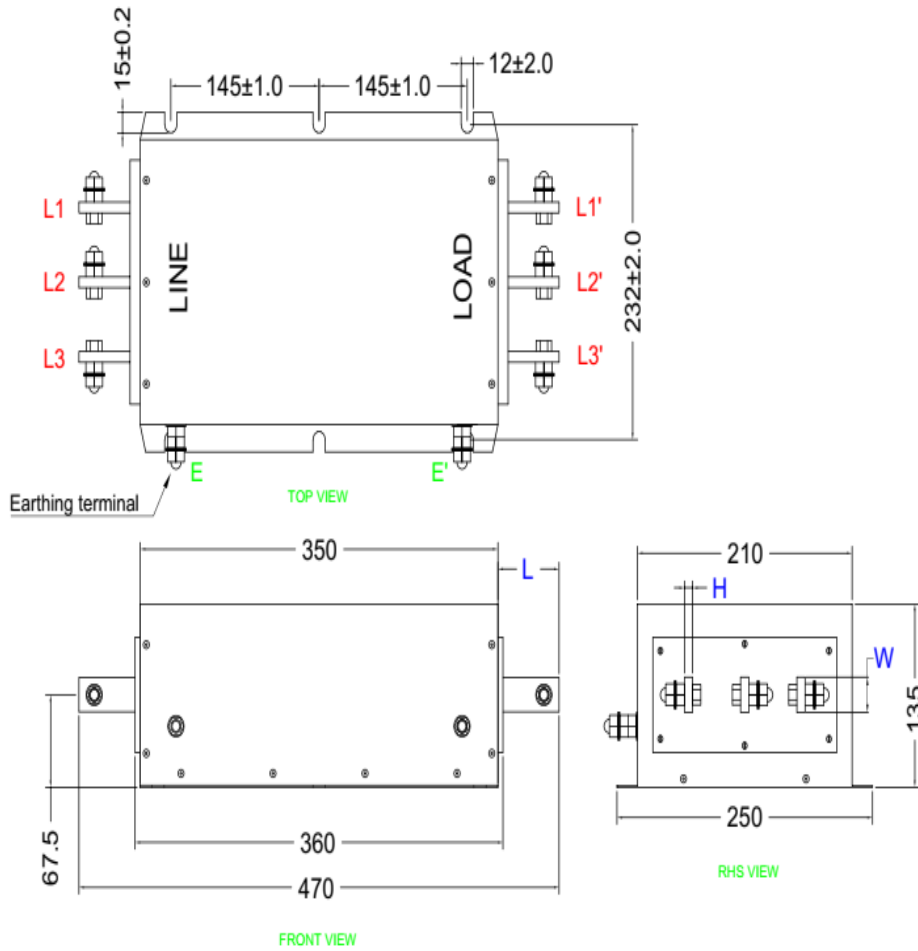


# Datasheet | EC44

## EP-355WON Series




### Mechanical Details



All dimensions are in mm.  
General tolerance ± 2%

### Filter Selection Table

Sr. No.	Elcom part codes (ordering code)	Rated Current rating (A) @40°C	Leakage current (mA) @440VAC	Bus bar 	Approx. Weight (Kg)	Attenuation
1	EF-3A500E01E-C44	500	< 3.5	E	18	Standard
2	EF-3A550E01E-C44	550	< 3.5	E	18	Standard
3	EF-3A600E01E-C44	600	< 3.5	E	20	Standard
4	EF-3A650E01E-C44	650	< 3.5	E	20	Standard

- Maximum leakage under usual AC operating conditions (acc. IEC 60939-3). Note: if the neutral line is interrupted, worst case leakage could reach twice this level.
- Customize products provided on request.

# Datasheet | EC44

## EP-355WON Series



### Connection Method

Current Rating (A)	Busbar details				Earthing
	L (mm)	W (mm)	H (mm)	Screw for connection	
500	60	30	8	M10	M10
550	60	30	8	M10	M10
600	60	30	8	M10	M10
650	60	30	8	M10	M10

### Filter attenuation graph

C = Common mode (asymmetrical) —————

D = Differential mode (symmetrical) - - - - -

