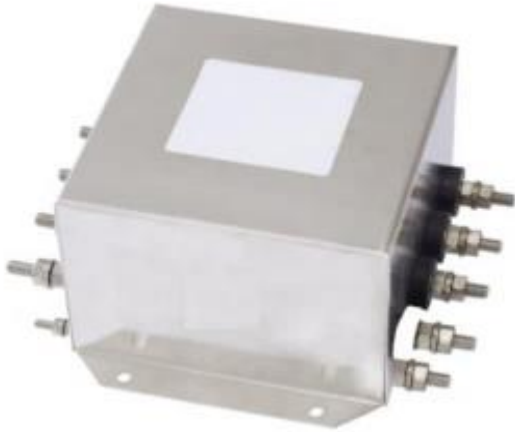


# Datasheet | EC74 EP-355WN Series



## General Purpose AC EMI Filter

## Approvals /Conformance



\*Image shown is for illustrative purpose only



## Technical Specifications

Operating voltage	250VAC(P-N)/440VAC(P-P)
Current rating	50A - 80A
Frequency	50/60Hz
Voltage drop	1 Volt max.
High potential test voltage	P -> E 1500VAC P -> N 2121VDC (applicable for excluding surge suppressor filter)
Insulation resistance	≥ 300 MΩ @ 500VDC (PN→E)
Operating temperature	40°C / -25°C +85°C

## Features and benefits

- | Filters available in single stage
- | All filters provide high attenuation performance.
- | All filters compliance to EN60939-3:2015 & EN60939-2:2005 standards.
- | High reliable
- | Chassis mountable filter in fabricated metal can.
- | CRCA metal can with nickel plating provides good aesthetic and corrosion protection.
- | General purpose filters with low leakage current for safety critical application.
- | With surge suppressor filters also available.
- | Various terminal options are available.

## Application

- | Defence application
- | Industrial application
- | UPS
- | Inverters and converters
- | Electrical equipment application
- | Laser cutting tools
- | Test and measurement instruments

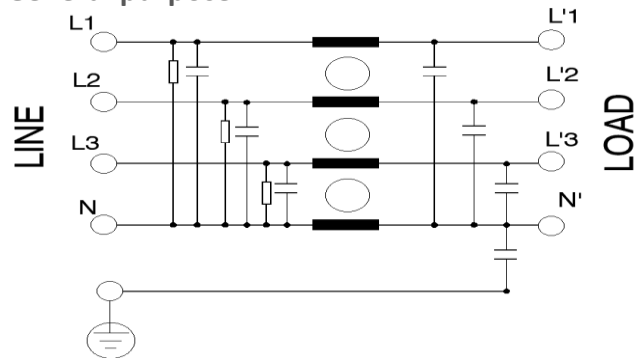
## Attenuation type

Single Stage

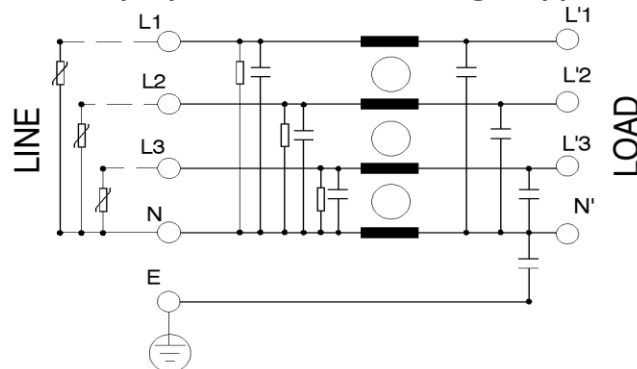
**Standard**

## Electrical schematic for filter:

### General purpose –



### General purpose with external surge suppressor –



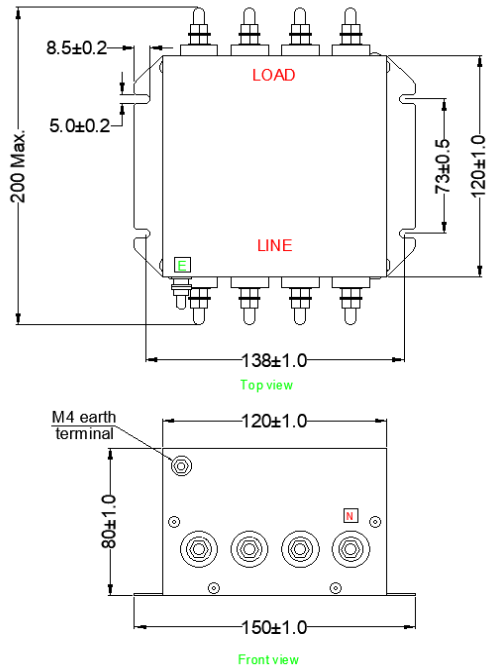
# Datasheet | EC74

## EP-355WN Series

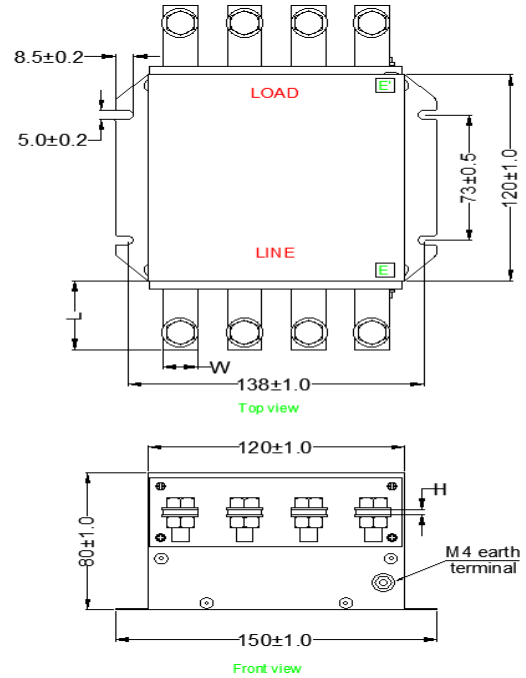
### Mechanical Drawing



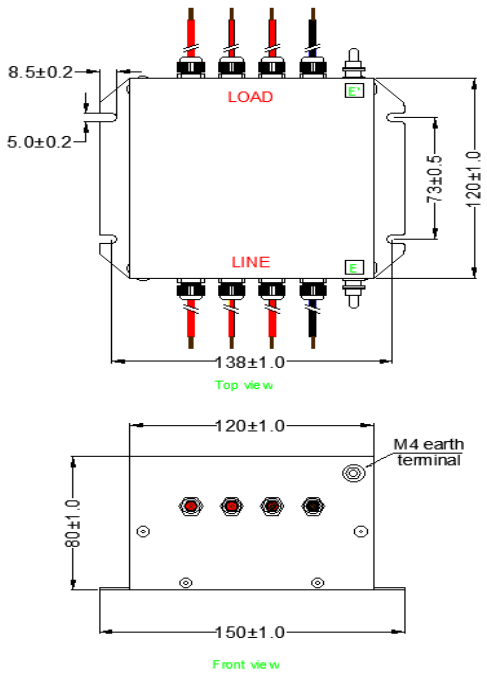
#### Screw terminal



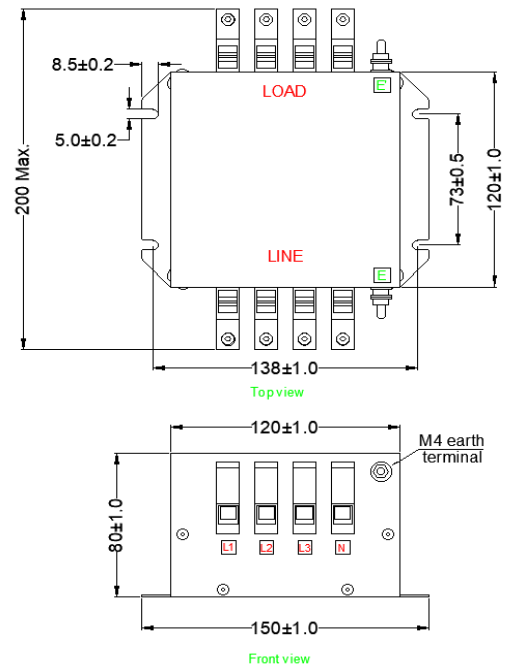
#### Bus-bar terminal



#### Wire Lead Terminal



#### Touch safe Terminal



All dimensions in mm  
General tolerance = ±2%

# Datasheet | EC74

## EP-355WN Series



### Filter Selection Table

Sr. No.	Elcom part codes (ordering code)	Rated Current rating (A) @40°C	Leakage current (mA) @440VAC	Terminals (X)				Max. Peak current (8/20 μ sec 1 time) (KA)	Energy surge rating (10/1000 μ sec) (Joules)	Weight (Kg)	Attenuation
				Screw	Bus bar	Touch -safe	Wire lead				
1	EF-3P050X01E-C74	50	< 1.0	D	E	F	G	----	----	2.5	Standard
2	EF-3P050X12E-C74	50	< 1.0	D	E	F	G	10	350	2.5	Standard
3	EF-3P060X01E-C74	60	< 1.0	D	E	F	G	----	----	2.5	Standard
4	EF-3P060X12E-C74	60	< 1.0	D	E	F	G	10	350	2.5	Standard
5	EF-3P080X01E-C74	80	< 1.0	D	E	F	G	----	----	2.5	Standard
6	EF-3P080X12E-C74	80	< 1.0	D	E	F	G	10	350	2.5	Standard

- To compile complete part number, replace the 'X' with required I/O connection terminal. (e.g. EF-3P050D01E-C74)
- Recommended tightening torque for touch safe – For 16 sqmm- 22-25 lbf.in and for screw terminal tightening torque-for M6 is 20-25Kgcm, for M8 is 25-30 Kgcm
- Maximum leakage under usual AC operating conditions (acc. IEC 60939-3). Note: if the neutral line is interrupted, worst case leakage could reach twice this level.
- Customize products provided on request.

### Connection Method

Current Rating (A)	Screw terminal	Bus bar (LxWxH) & connection screw terminal	Touch safe	Wire terminal (AWG)	Earthing
50	M6	40x16x3 & M8	16 Sq.mm	8AWG	M4
60	M6	40x16x3 & M8	16 Sq.mm	6AWG	M4
80	M8	40x16x3 & M8	16 Sq.mm	6AWG	M4

### Filter attenuation graph

C = Common mode (asymmetrical) —————

D = Differential mode (symmetrical) - - - - -

For general application (Single Stage)

