

High attenuation AC EMI Filter



*Image shown is for illustrative purpose only

Conformance



Technical Specifications

Operating voltage	440VAC (P-P)
Current rating	50A - 80A
Frequency	50/60Hz
Voltage drop	1 Volt max.
High potential test voltage	P -> E 1500VAC
Insulation resistance	≥ 300 MΩ @ 500VDC (P→E)
Operating temperature	40°c /-25°c +85°c

Features and benefits

- | Filters available in double stage
- | All filters provide high attenuation performance.
- | Two stage filters designed for noisy application requiring excellent filter performance.
- | All filters compliance to EN60939-3:2015 & EN60939-2:2005 standards.
- | High reliable
- | Easy and fast chassis mountable filter with compact size.
- | CRCA metal can with nickel plating provides good aesthetic and corrosion protection.
- | Various terminal options are available.

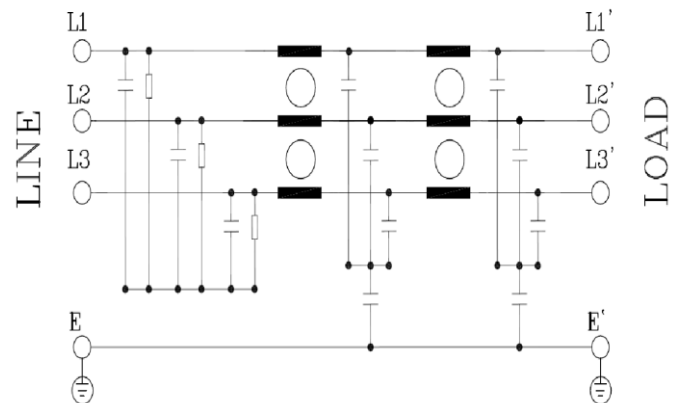
Application

- | Electrical and electronic equipment
- | Test & measurement equipment
- | 3 Phase motor drive
- | Inverters and converters
- | Industrial automation application UPS, SMPS
- | Laser cutting tools
- | Packaging and drilling machine
- | Printing machine

Attenuation type

Double Stage **High**

Electrical schematic for filter:



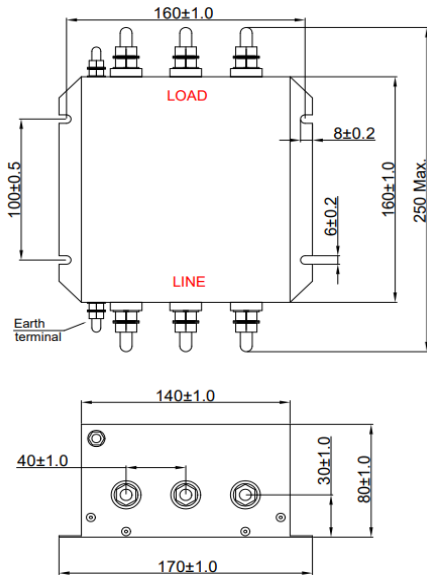
Datasheet | EC38

EP-355WON Series

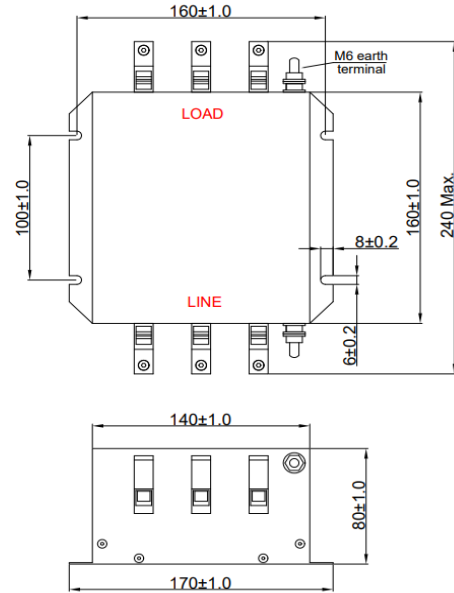
Mechanical Drawing



Screw terminal



Touch safe terminal



*All dimensions are in mm.
General tolerance=±1mm

Filter Selection Table

Sr. no	Elcom part codes (ordering code)	Current rating (A)	Leakage current (mA) @440V AC	Terminals (X)		Weight (Kg)	Attenuation
				Screw	Touch -safe		
1	EF-3A050X24G-C38	50	< 3.5	D	F	3.5	Standard
2	EF-3A060X24G-C38	60	< 3.5	D	F	3.5	Standard
3	EF-3A080X24G-C38	80	< 3.5	D	F	3.5	Standard

- To compile complete part number, replace the 'X' with required I/O connection terminal. (e.g. EF-3A050D24G-C38)
- Maximum leakage under usual AC operating conditions (acc. IEC 60939-3). Note: if the neutral line is interrupted, worst case leakage could reach twice this level.
- Customize products provided on request.

Connection Method

Current Rating (A)	Screw terminal details		Touch safe terminal details		Earthing screw terminal details
	Screw	Recommended tightening torque	Touch safe	Recommended tightening torque	
50	M6	20-25Kgcm	16 Sq.mm	22-25 lbf.in	M6
60	M6	20-25 Kgcm	16 Sq.mm	22-25 lbf.in	M6
80	M8	25-30 Kgcm	16 Sq.mm	22-25 lbf.in	M6

Filter attenuation graph

C = Common mode (asymmetrical) —————

D = Differential mode (symmetrical) - - - - -

