

General Purpose AC EMI Filter

Approvals /Conformance



*Image shown is for illustrative purpose only

Technical Specifications

Operating voltage	250VAC(P-N)/440VAC(P-P)
Current rating	180A - 250A
Frequency	50/60Hz
Voltage drop	1 Volt max.
High potential test voltage	P -> E 1500VAC P -> N 2121VDC (applicable for excluding surge suppressor filter)
Insulation resistance	≥ 300 MΩ @ 500VDC (PN→E)
Operating temperature	40°C / -25°C +85°C

Features and benefits

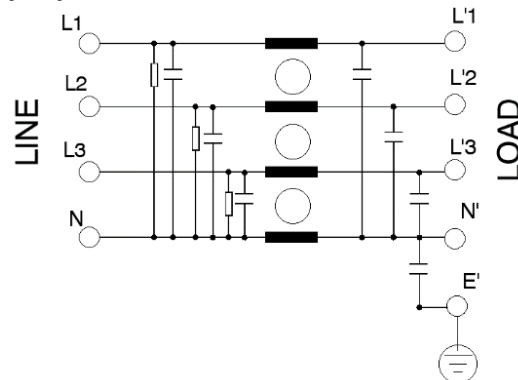
- | Filters available in single stage
- | All filters provide high attenuation performance.
- | All filters compliance to EN60939-3:2015 & EN60939-2:2005 standards.
- | High reliable
- | Chassis mountable filter in fabricated metal can.
- | CRCA metal can with nickel plating provides good aesthetic and corrosion protection.
- | General purpose filters with low leakage current for safety critical application.
- | With surge suppressor filters also available.
- | Various terminal options are available.

Attenuation type

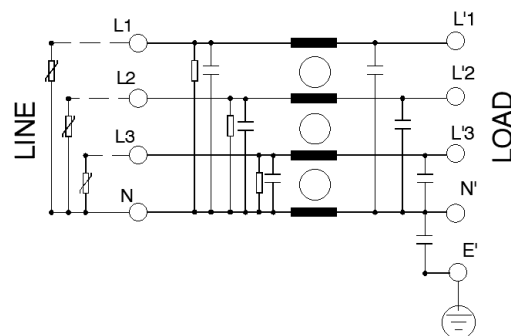
Single Stage **Standard**

Electrical schematic for single stage filter:

General purpose



General purpose with external surge suppressor-



Application

- | Defence application
- | Industrial application
- | UPS
- | Inverters and converters
- | Electrical equipment application
- | Laser cutting tools
- | Test and measurement instruments

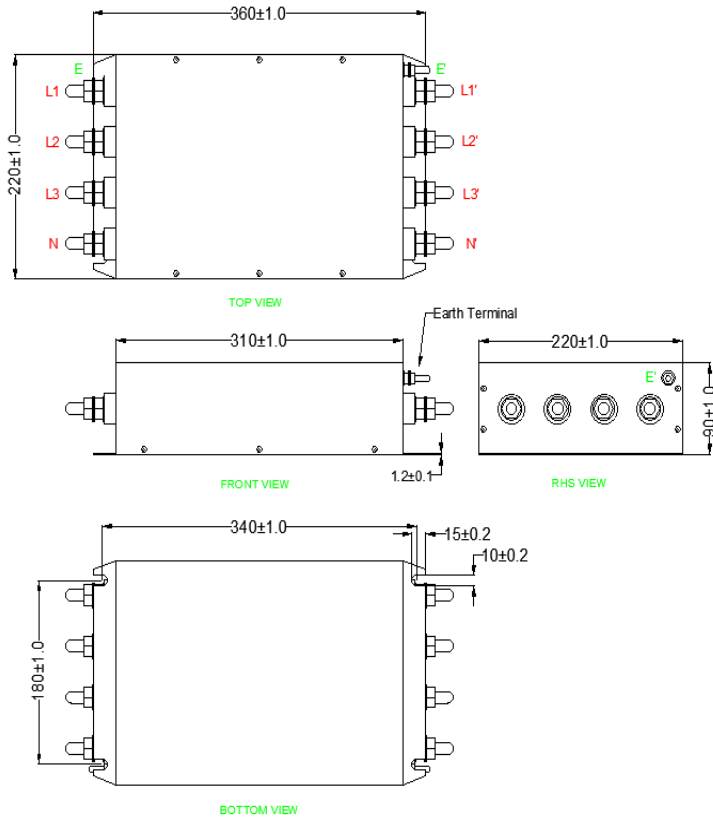
Datasheet | EC78

EP-355WN Series

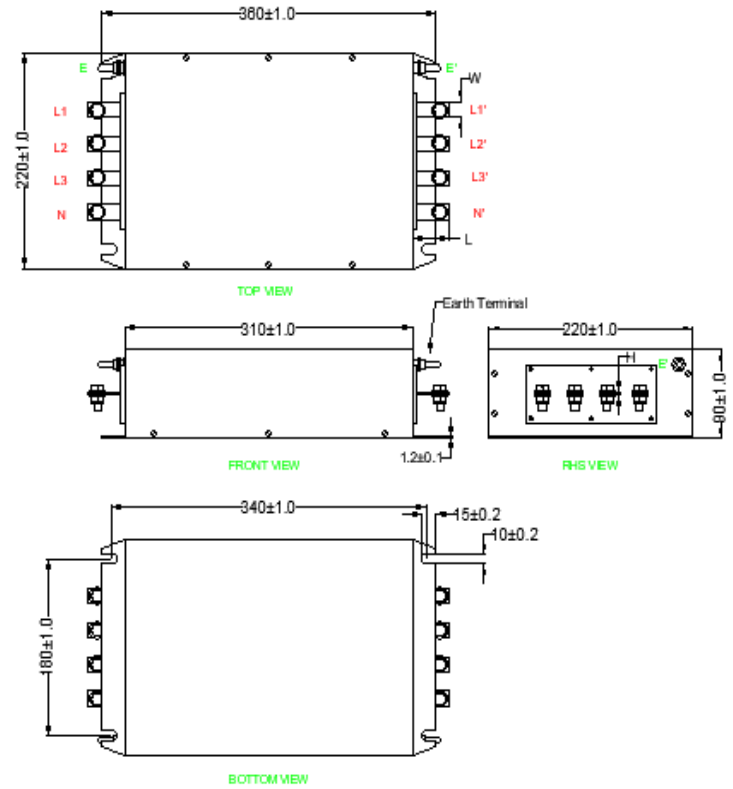


Mechanical Details

screw terminal



bus-bar terminal





All dimensions in mm
 General tolerance = ±2%

Datasheet | EC78

EP-355WN Series



Filter Selection Table

Sr. No.	Elcom part codes (ordering code)	Rated Current rating (A) @40°C	Leakage current (mA) @250VAC	Terminals (X)		Max. Peak current (8/20 μ sec 1 time) (kA)	Energy surge rating (10/1000 μ sec) (Joules)	Weight (Kg)	Attenuation
				Screw 	Bus bar 				
1	EF-3P180X01E-C78	180	< 1.0	D	E	----	----	8	Standard
2	EF-3P180X12E-C78	180	< 1.0	D	E	10	350	8	Standard
3	EF-3P200X01E-C78	200	< 1.0	D	E	----	----	9	Standard
4	EF-3P200X12E-C78	200	< 1.0	D	E	10	350	9	Standard
5	EF-3P250X01E-C78	250	< 1.0	D	E	----	----	10	Standard
6	EF-3P250X12E-C78	250	< 1.0	D	E	10	350	10	Standard

- To compile complete part number, replace the 'X' with required I/O connection terminal. (e.g. EF-3P180D01E-C78)
- Maximum leakage under usual AC operating conditions (acc. IEC 60939-3). Note: if the neutral line is interrupted, worst case leakage could reach twice this level.
- With surge suppressor filter available with externally connected surge suppressor unit.
- Customize products provided on request.

Connection Method

Current Rating (A)	Screw terminal details		Bus bar terminal details		Earthing screw terminal details
	Screw	Recommended tightening torque	Bus bar (LxWxH)	connection screw terminal	
180	M12	35-40Kgcm	40x25x6	M10	M6
200	M12	35-40Kgcm	40x25x6	M10	M6
250	M12	35-40Kgcm	40x25x6	M10	M6

Datasheet | EC78

EP-355WN Series



Filter attenuation graph

C = Common mode (asymmetrical) —————

D = Differential mode (symmetrical) - - - - -

For general application (Single Stage)

