

General Purpose AC EMI Filter



*Image shown is for illustrative purpose only

Conformance



Technical Specifications

Operating voltage	24 VDC
Current rating	1A to 6 Amp
Voltage drop	1 Volt max.
High potential test voltage	+,- to E 1500VAC
Insulation resistance	≥ 300 MΩ @ 500VDC (+,- to E)
Operating temperature	40°C / -25°C +85°C

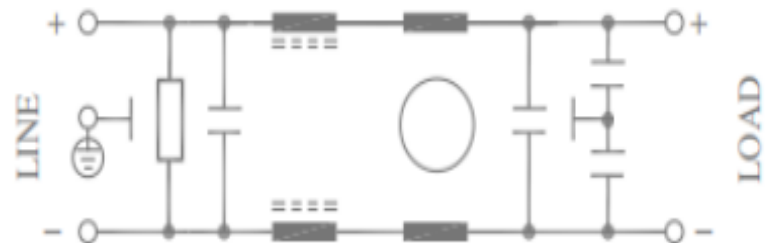
Features and benefits

- | Filters available in double stage
- | All filters provide high attenuation performance.
- | Two stage filters designed for noisy application requiring excellent filter performance.
- | All filters compliance to EN60939-3:2015 & EN60939-2:2005 standards.
- | High reliable
- | Easy and fast chassis mountable filter with compact size.
- | CRCA metal can with nickel plating provides good aesthetic and corrosion protection.
- | Various terminal options are available

Attenuation type

Double Stage **High**

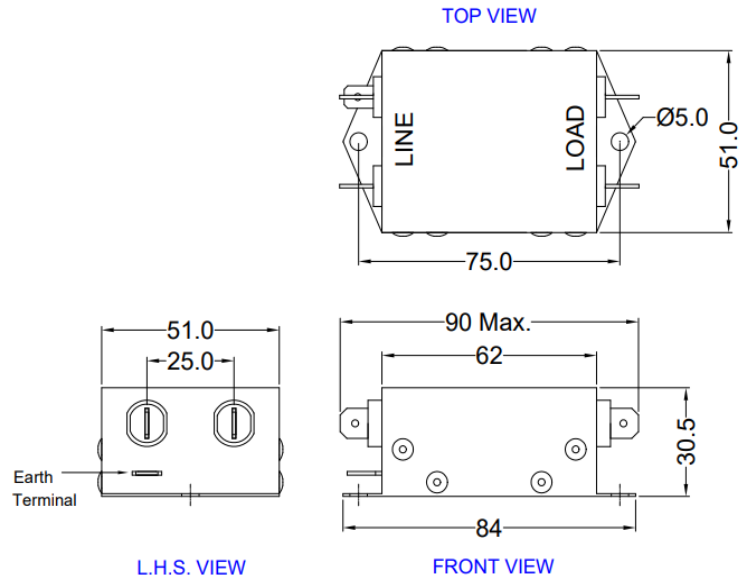
Electrical schematic for filter:



Application

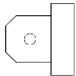
- | Modems
- | Network Routing Equipment
- | Servers
- | Ethernet Hubs
- | Base Stations
- | Power Supplies
- | Photovoltaic Inverters
- | DC Motor Drives
- | DC Chargers
- | Frequency Inverters
- | Energy system

Mechanical Details



All dimensions in mm
General tolerance = ± 2 mm

Filter Selection Table

Sr. No.	Elcom part codes (ordering code)	Rated Current rating (A) @40°C	Terminals (X)	Approx. Weight (gm)	Attenuation
			Fast-on 		
1	EF-4B001X24G-C06	1	B	200	Standard
2	EF-4B003X24G-C06	3	B	200	Standard
3	EF-4B006X24G-C06	6	B	200	Standard

- To compile complete part number, replace the 'X' with required I/O connection terminal. (e.g. EF-4B001B24G-C06).
- Customize products provided on request.

Connection Method

Current Rating (A)	Wire terminal	Fast -on terminal	Earthing
1	0.5 sq.mm.	6.3 X 0.8mm	Wire lead/Fast-on

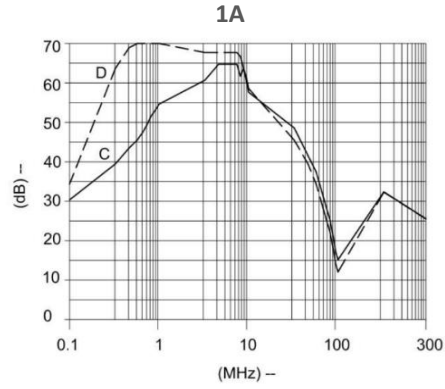
Datasheet | EC06 DC filter



Filter attenuation graph

C = Common mode (asymmetrical) —————

D = Differential mode (symmetrical) - - - - -



Copyright © 2022 by Elcom International Pvt.Ltd, India. All rights reserved

The content of this document has been carefully checked and understood. However, Elcom not assume any liability whatsoever for any errors or inaccuracies of this document and the consequences thereof. Published specifications are subject to change without notice. Product suitability for any area of application must ultimately be determined by the customer