

General Purpose AC EMI Filter



*Image shown is for illustrative purpose only

Features and benefits

- | Filters available in single & double stage
- | All filters provide high attenuation performance.
- | All filters compliance to EN60939-3:2015 & EN60939-2:2005 standards.
- | High reliable
- | Chassis mountable filter in fabricated metal can.
- | CRCA metal can with nickel plating provides good aesthetic and corrosion protection.

Application

- | Defence application
- | Industrial application
- | UPS
- | Inverters and converters
- | Electrical equipment application
- | Laser cutting tools
- | Test and measurement instruments

Conformance



Technical Specifications

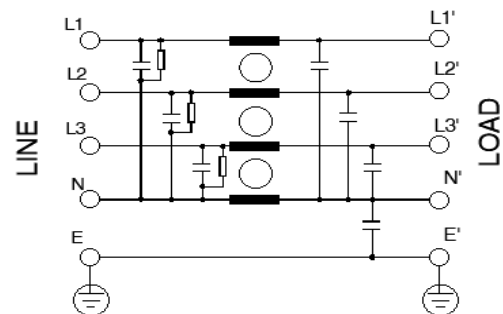
Operating voltage	250VAC(P-N)/440VAC(P-P)
Current rating	1100A - 1500A
Frequency	50/60Hz
Voltage drop	1 Volt max.
High potential test voltage	P -> E 1500VAC P -> N 2121VDC
Insulation resistance	≥ 300 MΩ @ 500VDC (PN→E)
Operating temperature	40°C / -25°C +85°C

Attenuation type

Single Stage	Standard
Double Stage	High

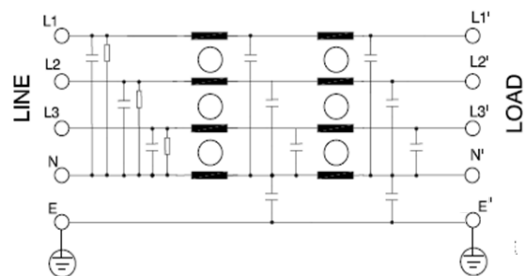
Electrical schematic for Single Stage filter:

General purpose –



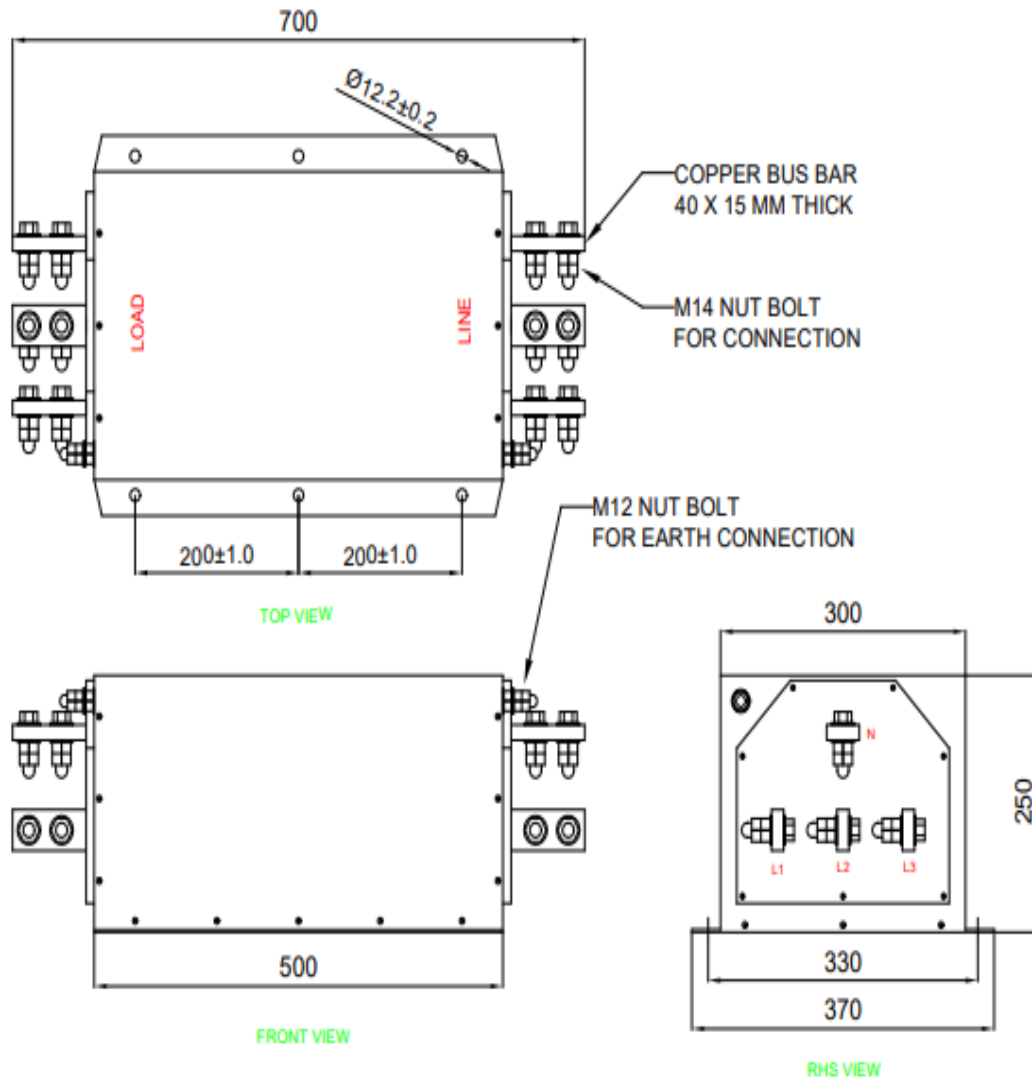
Electrical schematic for Double Stage filter:

General purpose –




Mechanical Details

bus bar terminal



All dimensions in mm
General tolerance =±2%

Filter Selection Table

Sr. No.	Elcom part codes (ordering code)	Rated Current rating (A) @40°C	Leakage current (mA) @440VAC	Terminals (X)	Approx. Weight (Kg)	Attenuation
				Bus bar 		
1	EF-3P1K1E01G-C89	1100	< 3.5	E	40	Standard
2	EF-3P1K2E01G-C89	1200	< 3.5	E	40	Standard
3	EF-3P1K3E01G-C89	1300	< 3.5	E	45	Standard
4	EF-3P1K4E01G-C89	1400	< 3.5	E	45	Standard
5	EF-3P1K5E01G-C89	1500	< 3.5	E	45	Standard
6	EF-3P1K1E20G-C89	1100	< 3.5	E	40	High
7	EF-3P1K2E20G-C89	1200	< 3.5	E	40	High
8	EF-3P1K3E20G-C89	1300	< 3.5	E	45	High
9	EF-3P1K4E20G-C89	1400	< 3.5	E	45	High
10	EF-3P1K5E20G-C89	1500	< 3.5	E	45	High

- Maximum leakage under usual AC operating conditions (acc. IEC 60939-3). Note: if the neutral line is interrupted, worst case leakage could reach twice this level.
- Customize products provided on request

Filter attenuation graph

C = Common mode (asymmetrical) —————

D = Differential mode (symmetrical) - - - - -

For general application (Single Stage)

