

General Purpose AC EMI Filter



*Image shown is for illustrative purpose only

Features and benefits

- | Filters available in single & double stage
- | All filters provide high attenuation performance.
- | All filters compliance to EN60939-3:2015 & EN60939-2:2005 standards.
- | High reliable
- | Chassis mountable filter in fabricated metal can.
- | CRCA metal can with nickel plating provides good aesthetic and corrosion protection.
- | Various terminal options are available.

Application

- | Defence application
- | Industrial application
- | UPS
- | Inverters and converters
- | Electrical equipment application
- | Laser cutting tools
- | Test and measurement instruments

Conformance



Technical Specifications

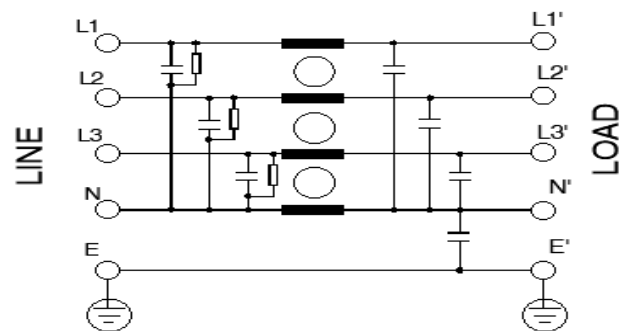
Operating voltage	250VAC(P-N)/440VAC(P-P)
Current rating	50A - 60A
Frequency	50/60Hz
Voltage drop	1 Volt max.
High potential test voltage	P -> E 1500VAC P -> N 2121VDC
Insulation resistance	≥ 300 MΩ @ 500VDC (PN→E)
Operating temperature	40°c /-25°c +85°c

Attenuation type

Single Stage	Standard
Double Stage	High

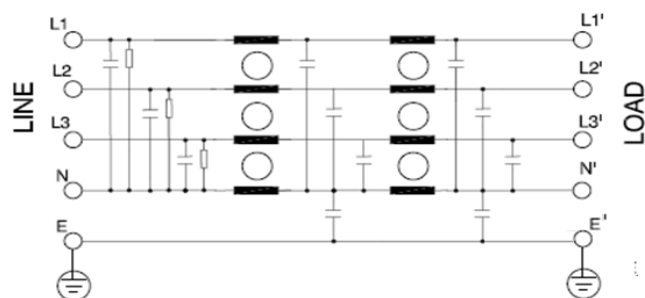
Electrical schematic for Single Stage filter:

General purpose –

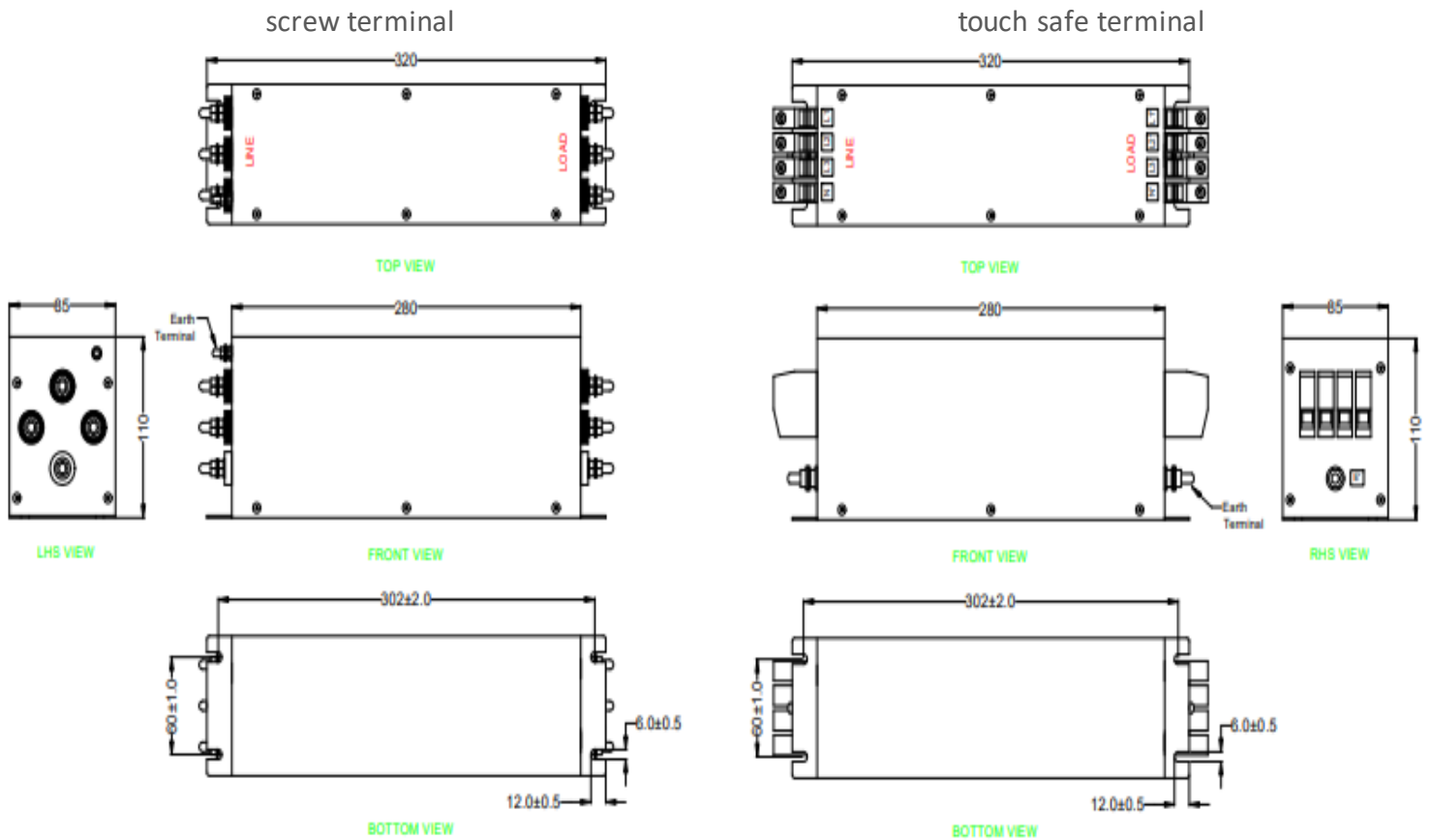


Electrical schematic for Double Stage filter:


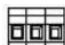
General purpose –



Mechanical Details



Filter Selection Table

Sr. No.	Elcom part codes (ordering code)	Rated Current rating (A) @40°C	Leakage current (mA) @440VAC	Terminals (X)		Weight (Kg)	Attenuation
				Screw 	Touch-safe 		
1	EF-3P050X01G-C92	50	< 3.5	D	F	2.5	Standard
2	EF-3P060X01G-C92	60	< 3.5	D	F	2.5	Standard
3	EF-3P050X20G-C92	50	< 3.5	D	F	2.5	High
4	EF-3P060X20G-C92	60	< 3.5	D	F	2.5	High

- To compile complete part number, replace the 'X' with required I/O connection terminal. (e.g. EF-3P050D01G-C92)
- Customize products provided on request.

Connection Type

Current Rating (A)	Screw terminal details		Touch safe terminal details		Earthing screw terminal details
	Screw	Recommended tightening torque	Touch safe	Recommended tightening torque	
50	M6	20-25Kgcm	16 Sq.mm	22-25 lbf.in	M6
60	M6	20-25Kgcm	16 Sq.mm	22-25 lbf.in	M6

Filter attenuation graph

C = Common mode (asymmetrical) —————

D = Differential mode (symmetrical) - - - - -

For general application (Single Stage)

For general application (double Stage)

