

General Purpose AC EMI Filter



*Image shown is for illustrative purpose only

Features and benefits

- | Filters available in single stage.
- | All filters provide high attenuation performance.
- | All filters compliance to EN60939-3:2015 & EN60939-2:2005 standards.
- | High reliable
- | Easy and fast din rail mounting filter with compact size.
- | CRCA metal can with nickel plating provides good aesthetic and corrosion protection.
- | Filters available in medical version without capacitor to earth.
- | General purpose filters with low leakage current for safety critical application.
- | With surge suppressor filters also available.

Application

- | Medical equipment
- | Industrial application
- | Automotive application
- | Electrical equipment application
- | Office automation equipment

Conformance



Technical Specifications

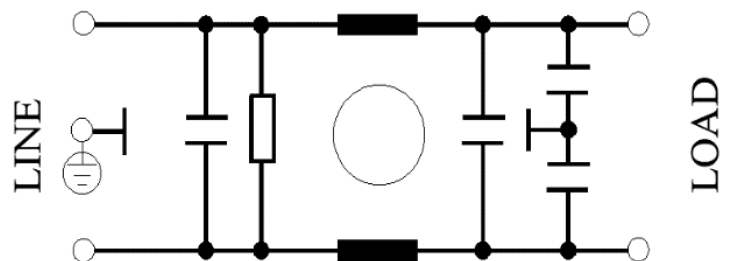
Operating voltage	120/250 VAC
Current rating	1A - 10A
Frequency	50/60Hz
Voltage drop	1 Volt max.
High potential test voltage	P -> E 1500VAC P -> N 1414VDC (applicable excluding surge suppressor filter)
Insulation resistance	≥ 300 MΩ @ 500VDC (PN→E)
Operating temperature	40°C / -25°C +85°C

Attenuation type

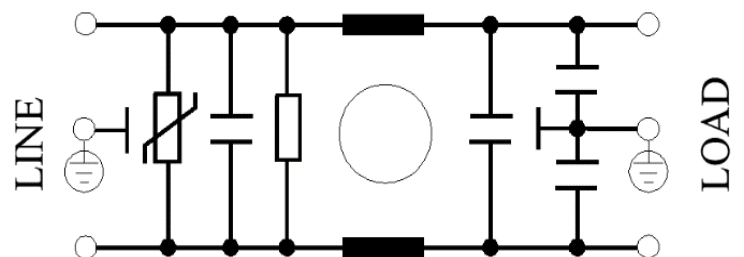
Single Stage **Standard**

Electrical schematic for filter:

General purpose –

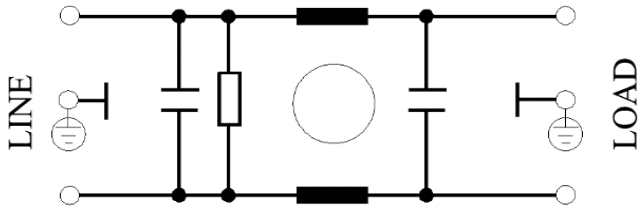


General purpose with surge suppressor –

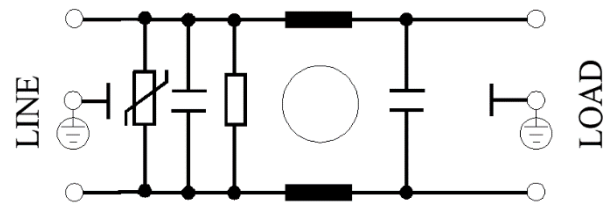


Electrical schematic for filter :

Medical equipment application –

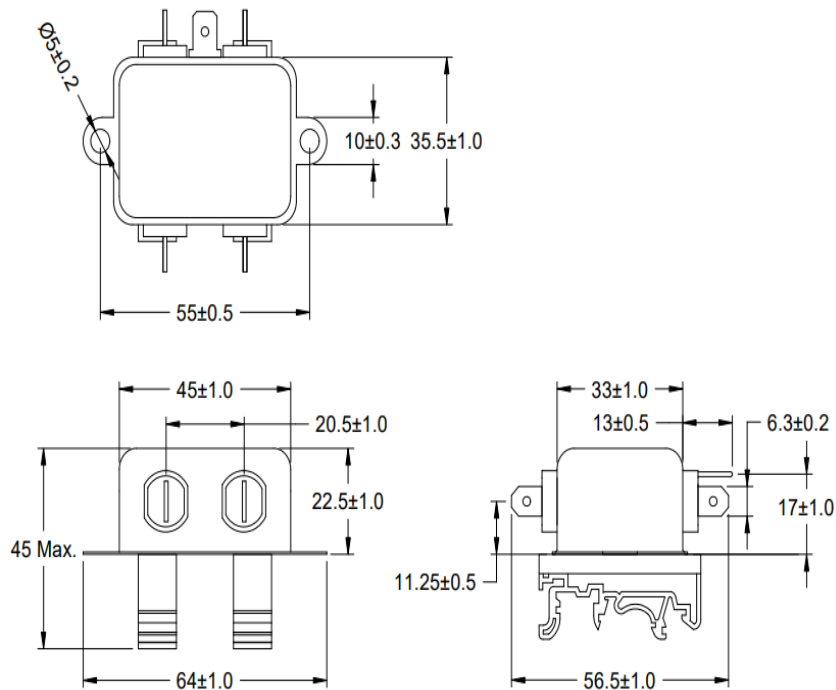


Medical equipment application with surge suppressor -



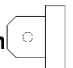
Mechanical Drawing

Fast-on terminal



*All dimensions in mm.

Filter Selection Table:

Sr. No.	Elcom part codes (ordering code)	Rated Current rating (A) @40°C	Leakage current (mA) @250VAC	Terminals (X)	Approx. Weight (gm)	Attenuation
				Fast-on 		
1	EF-1B001B01G-E05	1	< 0.5	B	120	Standard
2	EF-1B001B02G-E05	1	< 0.5	B	120	Standard
3	EF-1B001B03G-E05	1	< 0.003	B	120	Standard
4	EF-1B001B04G-E05	1	< 0.003	B	120	Standard

5	EF-1B003B01G-E05	3	< 0.5	B	120	Standard
6	EF-1B003B02G-E05	3	< 0.5	B	120	Standard
7	EF-1B003B03G-E05	3	< 0.003	B	120	Standard
8	EF-1B003B04G-E05	3	< 0.003	B	120	Standard
9	EF-1B006B01G-E05	6	< 0.5	B	120	Standard
10	EF-1B006B02G-E05	6	< 0.5	B	120	Standard
11	EF-1B006B03G-E05	6	< 0.003	B	120	Standard
12	EF-1B006B04G-E05	6	< 0.003	B	120	Standard
13	EF-1B010B01G-E05	10	< 0.5	B	120	Standard
14	EF-1B010B02G-E05	10	< 0.5	B	120	Standard
15	EF-1B010B03G-E05	10	< 0.003	B	120	Standard
16	EF-1B010B04G-E05	10	< 0.003	B	120	Standard

- To compile complete part number, replace the 'X' with required I/O connection terminal. (e.g. EF-1B001B01G-E05).
- Maximum leakage under usual AC operating conditions (acc. IEC 60939-3). Note: if the neutral line is interrupted, worst case leakage could reach twice this level.
- Customize products provided on request.

Connection Method

Current Rating (A)	Input & output terminal
1A-10A	Fast -on 6.3 X 0.8mm

Filter attenuation graph

C = Common mode (asymmetrical) —————

D = Differential mode (symmetrical) - - - - -

For general purpose (Single Stage)

